

SkyAzúl

EQUIPMENT SOLUTIONS



**GS550 Display
& GS Series Sensors**



INSTALLATION & OPERATOR'S MANUAL

NOTICE

SkyAzúl makes no warranty of any kind with regard to this material, including, but not limited to, the implied warranties of merchantability and/or its fitness for a particular purpose.

SkyAzúl will not be liable for errors contained in this manual or for incidental or consequential damages in connection with the furnishing, performance, or use of this manual. This document contains proprietary information, which is protected by copyright, and all rights are reserved.

No part of this document may be photocopied, reproduced, or translated to another language without the prior written consent of SkyAzúl.

SkyAzúl reserves proprietary rights to all drawings, photos and the data contained therein. The drawings, photos and data are confidential and cannot be used or reproduced without the written consent of SkyAzúl. The drawings and/or photos are subject to technical modification without prior notice.

All information in this document is subject to change without notice.




SkyAzúl, Inc.
16 Walnut Street
Middletown, MD 21769
Fax 301-371-0029
info@skyazul.com

BEFORE PROCEEDING

Read and understand the following:

For your safety and that of the people that come into contact with **LSI** products, understand the significance of the instructions included in this guide, respect all laws and regulations and comply with applicable standards.

Pay particular attention to items bearing the alert symbol  and the following words:



WARNING!

Warning: this denotes an instruction that if not complied with may lead to serious injury or death.



CAUTION!

Caution: this denotes an instruction that if not complied with may lead to product failure or property damage.



IMPORTANT!

Important: this denotes an instruction that if not complied with may lead to product performance issues.



WARNING! Installation must be made in compliance with **LSI** instructions and using **LSI** supplied components only. Failure to install all parts, or replacing parts or components with parts or components not supplied by **LSI**, may lead to system failure, serious injury or death.

TABLE OF CONTENTS

TABLE OF CONTENTS

	Swing Arm.....	24
1. INTRODUCTION		5
1.1 OVERVIEW		5
1.2 START-UP		5
2. INSTALLATION		6
2.1 DISPLAY GS550.....		6
2.1a Mounting Bracket.....		6
2.1b Antenna Position		7
2.1c Power Supply and Lockout Connection		7
2.1d Lockout Settings		8
2.2 POWER SUPPLY VERIFICATION.....		9
2.3 LOAD CELL.....		10
2.4 ANGLE SENSORS FOR THE BOOM OR JIB.....		11
2.4a Mounting Procedure.....		11
2.4b Angle Calibration Procedure No. 1: Mechanical Set-Up		11
2.4c Angle Calibration Procedure No. 2: Correct with the GS550.....		12
2.5 ANTI-TWO-BLOCK SWITCH.....		12
2.5a Switch Bracket Installation LB011		12
2.5b GS075-B Installation		14
2.5c Chain length adjustment		14
2.6 LENGTH SENSOR CABLE REEL		15
2.6a Maximum Boom Extension		15
2.6b Mounting the Cable Reel.....		15
2.6c Boom Length Calibration Procedure No. 1: Mechanical Set-Up		16
2.6d Boom Length Calibration Procedure No. 2: Correct with the GS550.....		16
2.7 RADIUS		17
2.7a Radius Verification and Adjustment		17
2.7b Radius Settings		18
2.7c Basic Radius Parameters for a Lattice Crane		19
2.7d Basic Radius Parameters for a Telescopic Boom Crane		19
2.7e Advanced Radius Parameters.....		20
2.8 WIRELESS WIND SPEED SENSOR GS020		21
2.9 WIRELESS LOAD PINS		22
2.9a LP011, LP015, and LP026		22
2.9b Load Pin Transmitter GS001		22
2.10 LINE RIDING TENSIO METER.....		23
2.10a Line Riding Tensiometer Installation....		23
2.10b Line Riding Tensiometer Installation on a Swing Arm.....		24
2.11 LOAD PINS, LINE RIDING TENSIO METERS AND COMPRESSION CELLS: CALIBRATION.....		25
2.12 FOUR POINT LIFT.....		26
2.12a Sum Load Indication		26
2.12b Imbalance.....		26
2.12c Slack Rope		27
2.13 LIST AND TRIM ANGLE SENSOR.....		28
2.13a Programming the GS550 for List and Trim Indication		28
2.13b Mounting Instructions		28
2.13c List and Trim Angle Calibration Procedure.....		29
2.14 ROPE PAYOUT.....		30
2.14a Rope Payout Calibration Procedure No. 1: Mechanical Set-Up		30
2.14b Rope Payout Calibration Procedure No. 2: Correct with the GS550.....		30
2.14c Rope Payout Limits.....		31
2.15 SLEW SENSOR INSTALLATION		32
2.15a Encoder Gear Verification.....		32
2.15b Slew Encoder Location		32
2.15c Slew Encoder Orientation		32
2.15d Slew Encoder Installation.....		32
2.15e Slew Transmitter Location.....		33
2.15f Slew Transmitter Installation		33
2.15g Cable Length Adjustment.....		33
2.16 SLEW SENSOR CALIBRATION		33
2.17 DATA LOGGER.....		34
2.17a Recording Modes.....		34
2.17b Date and Time.....		34
2.18 SENSOR LIST		35
2.18a How to Add a Sensor to the GS550....		35
2.18b How to Remove a Sensor from the GS550		35
2.19 NETWORK OPTIONS.....		36
2.19a Listen Only Mode		36
2.19b Repeater.....		36
2.19c Wireless Sensor Update.....		36
3. OPERATION.....		37
3.1 DISPLAY GS550.....		37
3.2 USB PORT		37
3.3 KEYPAD		37
3.3a Tare.....		38
3.3b Info		38
3.3c Limit.....		39

3.4 DISPLAY ABBREVIATIONS	39	5.4b Load Testing.....	52
3.5 SYSTEM MENU	40	5.4c Care.....	52
3.5a Menu Numbers.....	40	6. TROUBLESHOOTING.....	53
3.5b Menu Navigation	40	7. CERTIFICATION NOTES	54
3.5c Password Protection	40	7.1 MODEL NUMBERS.....	54
3.5d Menu Layout	40	7.2 IMPORTANT NOTES FOR	
3.5e Parts of Line	41	HAZARDOUS AREA CERTIFIED	
3.6 RATED CAPACITY INDICATORS....	41	COMPONENTS.....	54
3.6a Display Programming.....	41	7.2a Specifications.....	54
3.6b Crane Rigging	41	7.2b Ensuring Safe Operation in Hazardous	
3.6c Chart Wizard	41	Areas	55
3.7 DISPLAY SETTINGS	42	7.2c Product Repair And Servicing.....	55
3.7a Weight Units.....	42	7.3 EQUIPMENT MARKINGS	55
3.7b Wind Units.....	42	7.4 GS550 DISPLAY LABELS.....	56
3.7c Language	42	7.5 CLASS 1 DIVISION 1 AND DIVISION	
3.7d Light Intensity.....	42	2 CERTIFICATIONS	56
3.7e Contrast.....	42	7.6 ATEX CERTIFICATIONS.....	56
3.7f Backlight Mode	42	7.7 FCC AND IC – INSTRUCTIONS TO	
3.8 SYSTEM DIAGNOSTIC.....	42	THE USER.....	57
3.8a System Sensors Diagnostic	42	7.8 EMI / EMC.....	58
3.8b Radio Network Diagnostic	43	7.9 ENVIRONMENTAL CONDITIONS... 	58
3.8c Lockout Diagnostic	43	7.10 CLEANING AND	
3.8d Display Diagnostic.....	43	DECONTAMINATION	58
3.8e Digital Input Diagnostic	43	7.11CE.....	59
3.9 WORK AREA MANAGEMENT	44	7.11a Declaration of Conformity	59
3.9a Set Fixed Limits.....	44	7.11b CE Safety	59
3.9b Set Dynamic Limits	44	8. GS550 MENU OUTLINE	60
3.9c Clear all work area limits	45	9. LSI PRODUCT LIMITED WARRANTY -	
3.9d Warning, alarm and lockout	45	APRIL 1ST, 2013	62
3.9e Slew and work area display	45	9.1 LIMITED WARRANTY.....	62
4. USB TOOL.....	46	9.2 WARRANTY SERVICES	
4.1 DATA LOGGER TRANSFER FROM		PROCEDURES.....	62
DISPLAY.....	46	9.3 EXCLUSION OF OTHER	
4.1a Transfer from display to USB device...	46	WARRANTIES	62
4.1b Transfer from USB device to PC.....	46	9.4 EXCLUSION.....	63
4.1c Troubleshooting.....	46	9.5 LIMITATION OF LIABILITY	63
4.2 UPLOAD CAPACITY CHARTS.....	47	9.6 RECOMMENDED PRACTICES.....	63
4.3 DATA LOGGER VIEWER	47	9.7 CHOICE OF LAW.....	63
4.3a Installation on a PC	47	9.8 ENTIRE AGREEMENT	63
4.3b Quick Start	47	9.9 VIENNA CONVENTION EXCLUDED	63
4.3c Full Report.....	47		
4.3d Wind Report	48		
5.1 SENSORS	49		
5.1a Replacing Sensor Battery	49		
5. MAINTENANCE	49		
5.2 ANTI-TWO-BLOCK SWITCH.....	50		
5.2a Replacing the GS050 Batteries.....	50		
5.2b Replacing the GS075-B Battery.....	50		
5.3 REPLACING A SENSOR ANTENNA	51		
5.4 LOAD CELLS	52		
5.4a Reading Accuracy	52		

1. INTRODUCTION

1.1 Overview

The GS550 system includes the cabin mounted GS550 radio display and compatible crane mounted sensors. The GS550 creates a two-way radio network with the sensors to bring required lift data to the operator. Hoist load, boom and jib angles, boom length, wind speed and pending two-block can be detected and then indicated to the operator in real time. Working load radius can be calculated and compared to a rated capacity chart (if programmed). Furthermore the GS550 can be programmed to generate warnings, alarms and lockout commands, all triggered by adjustable thresholds and limits. All these events can be recorded by the data logger with a time and date stamp. The exact operational function of the GS550 system depends on the sensor configuration used and the rated capacity charts programmed (where applicable). The GS550 includes a USB port to facilitate software and chart updates and data logger downloads using a USB mass storage device (USB key).

1.2 Start-Up

The GS550 must be correctly programmed for the system sensors installed. If a sensor is missing or has a problem, the Info button light will flash. Press the Info button to get more details on the problem.

This process may take up to one minute. The delay is created by the battery management function.

Press Bypass/Exit to temporarily bypass crane function lockout caused by a missing sensor. If rigging requires a crane configuration outside of the limits defined by the rated capacity chart selected, out of chart alarms can be avoided by placing the display in "rig mode". If the rig mode is enabled in the display, press Bypass/Exit for 10 seconds to activate it. If the rig mode is not available, contact your LSI representative or LSI technical support representative.

! WARNING! The GS550 system is designed as an operator aid and is in no way a substitute for safe operating practice.

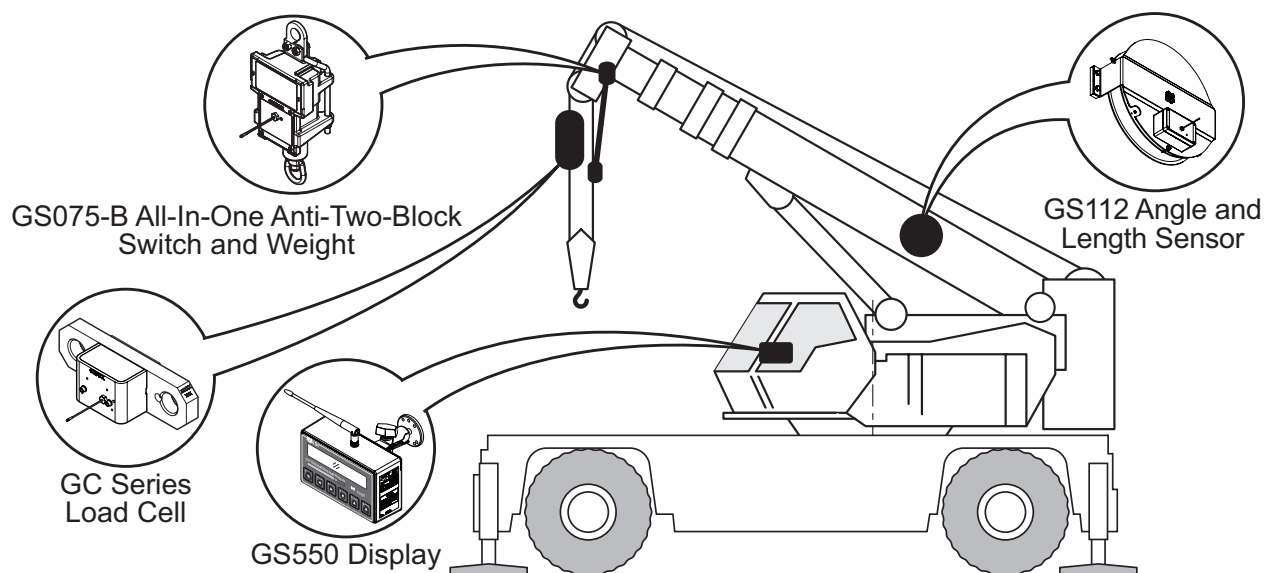


Figure: Key components in a typical system. Your product may vary. Not to scale.

2. INSTALLATION

*Note: Refer to the **Operation** section for detailed menu navigation instructions for all calibration procedures*

WARNING! Installation must be made in compliance with **LSI** instructions and using **LSI** supplied components only. Failure to install all parts, or replacing parts or components with parts or components not supplied by **LSI**, may lead to system failure, serious injury or death.

2.1 Display GS550

IMPORTANT! Do not crack or puncture the membrane fascia. The GS550 display is splash and rain proof. Waterproofing depends in part on the integrity of the membrane.

IMPORTANT! Do not power wash the display. The GS550 display is not designed to withstand high-pressure washing devices that can erode the membrane fascia seal or create fissures in the membrane fascia. Power washing the display voids warranty coverage.

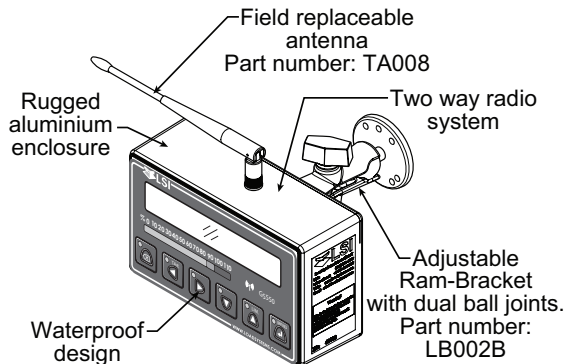


Figure: Display GS550

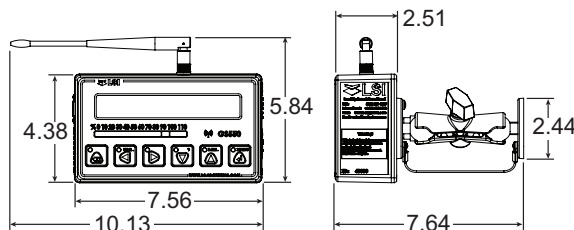


Figure: Display dimensions (inches). Not to scale.

2.1a Mounting Bracket

1. Determine the mounting location; the display may be installed either inside or outside the cab. It can be mounted on the dash, on a sidewall,

or on the ceiling of the cab. **To ensure reliable radio communication between sensors and the GS550, the antenna should not be in contact with metal and should have a direct and clear line of sight to the sensor antenna.** The mounting bracket requires a flat surface of at least 2.5 inches in diameter on both sides and where the back of the surface is accessible in order to tighten the nuts.

2. Drill 1/4 inch boltholes through the mounting surface with a 1/4 inch bit following either the two, three, or the four holes configuration.

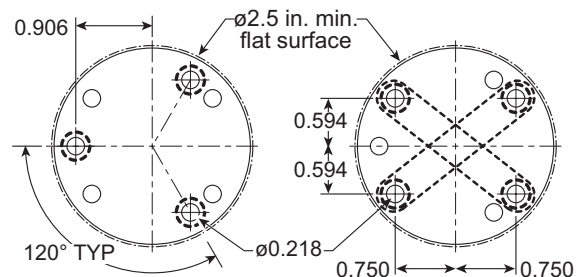


Figure: Display mounting bracket footprint. Not to scale.

3. Install the display with bolts. Add washers and lock nut behind the mounting surface and tighten sufficiently (bolts, nuts and washers not included).

Note: If the nuts are on the outside of the cab, caulk with silicone between the washers and the cab to prevent water entry.

4. Loosen the wing nut of the bracket arm to adjust display orientation to facilitate viewing by the operator and then tighten it back up.

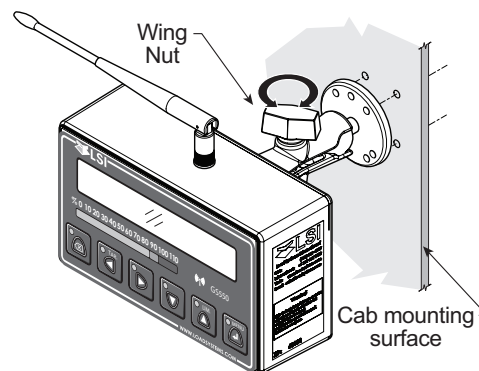


Figure: Install the display and adjust orientation

2.1b Antenna Position

For optimal performance, the antenna should be positioned on its side such that it is parallel to the sensor antennas (but not pointing directly to or directly away from them).

1. Adjust the antenna position with the articulating base.
2. The antenna should have 5 inches of clear space all around it.
3. The antenna should have an unobstructed line of sight to all sensor antennas at all boom angles.

2.1c Power Supply and Lockout Connection

CAUTION! Overvoltage will void warranty. Refer to section 2.2 on p. 9 for power supply verification procedure.

CAUTION! Lockout current must not exceed 0.5A during normal use. Sustained current over the specified rating may lead to malfunctions.

1. Connect the black wire (ground) to the negative terminal of the battery or the panel connection; alternatively bolt the black wire to the body of the machine with a 1/4 inch or 5/16 inch bolt. The ground connection must be strong enough to sustain 3 amperes.
2. Connect the red wire to a fused accessory source, rated at least 3 amperes, that supplies +12 or +24 volts when the machine is in use. The GS550 will automatically detect the voltage level and adjust itself.

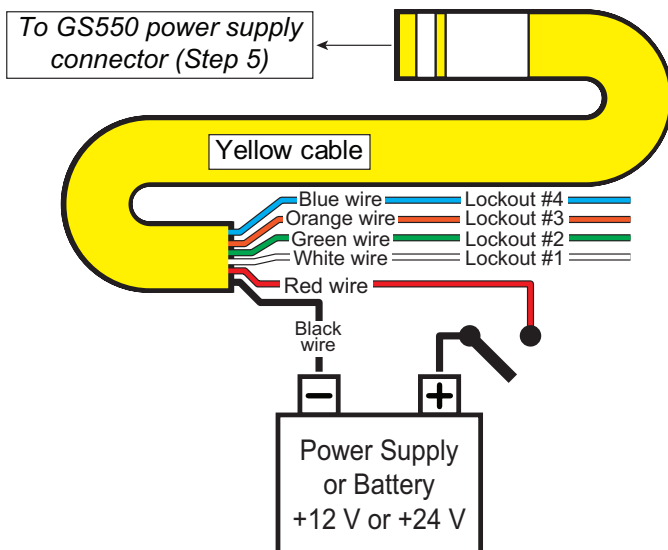


Figure: Connection without lockout

3. Lockout number 1 (if required): connect the white wire to a Bosch relay coil terminal. Connect the other coil terminal of the relay to the ground. When operating properly the white wire will energize at the battery positive level.

Troubleshooting: if no voltage is present on the white wire remove the load connected to the lockout.

Lockout currents over the rated maximum current will trigger an auto re-settable fuse. Current flow will resume several seconds after the short circuit is eliminated.

4. Lockout number 2, 3, and 4: these wires function in the same way as the white wire described in step 3 above. Each lockout wire can be triggered by a different set of alarm conditions; see the **Lockout Settings** sub section of this manual.

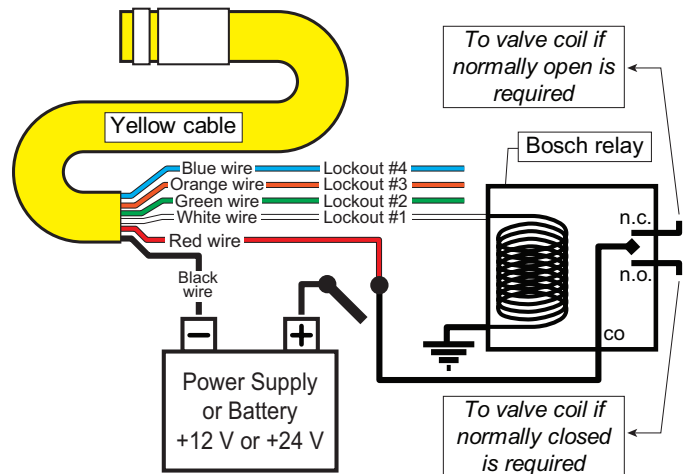


Figure: Connection with white wire lockout and recommended Bosch relay.

5. Connect the yellow cable to the GS550. The connector is waterproof and well rated for external environments. Simply connect the cable to the display and gently tighten the nut. **Do not put a kink in the yellow cable where it enters the connector; any bend in the cable at the base of the connector must not be so severe as to break the internal connections where the cable meets the connector. The power cable requires about 4 1/2 in. behind the display to protect the connector.**

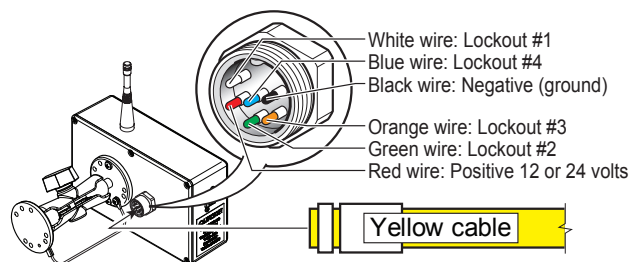


Figure: GS550 power supply connector

2.1d Lockout Settings

Warning, alarm and lockout control is programmed in this menu. The GS550 can be programmed to generate alarms and lockouts for almost all programmed limits and two-block. Furthermore, warnings are generated when approaching programmed load limits and rated capacity (when applicable).

Warning level. When gross load (regardless of tare value) approaches the maximum limit for a load sensor, an intermittent warning message is generated on the LCD. The maximum limit for a load sensor is the lower of a) the operator set limit (Limit Menu) and b) the working load limit (WLL) if rated capacity charts are used. The proportion of a limit that must be reached to trigger the overload warning is the warning level. The default factory setting for the warning level is 90%.

1. Go to menu **4G1) WARNING LEVEL.**
2. Use **Up** and **Down** to adjust the warning level.
3. Press **Next** to advance to the alarm level adjustment page or press **Menu** to confirm any changes and then press **Exit** three times to return to the operation display.

Alarm level. All programmed and rated capacity limits and two-block will generate an audible alarm when the alarm level is reached. Alarms will generate an intermittent alarm message on the LCD. The proportion of a limit that must be reached to trigger an alarm is the alarm level. The default factory setting for the alarm level is 100%.

1. Go to menu **4G2) ALARM LEVEL.**
2. Use **Up** and **Down** to adjust the alarm level.
3. Press **Next** to advance to the lockout level adjustment page or press **Exit** three times to return to the operation display.

Lockout level. All programmed and rated capacity limits and two-block can generate a lockout signal when the lockout level is reached. By default the lockout wires carry crane power supply voltage as long as the display is in safe condition (to inverse lockout polarity see menu **4G8**). When a lockout level is reached voltage is cut on all lockout wires linked to the lockout condition (see menu **4G4** through **4G7**). The proportion of a limit that must be reached to trigger lockout is the lockout level. The default factory setting for the lockout level is 105%.

1. Go to menu **4G3) LOCKOUT LEVEL.**

2. Use **Up** and **Down** to adjust the lockout level.
3. Press **Next** to advance to the white wire lockout trigger adjustment page or press **Exit** three times to return to the operation display.

Lockout triggers. Different events can be programmed to cut voltage on the lockout wires of the yellow cable. Each lockout wire can be linked to a different combination of lockout conditions.

1. Go to menu **4G4) WHITE WIRE LOCKOUT TRIGGER.**
2. Select which alarm conditions will trigger lockout on the white wire.
3. Add the lockout codes for the selected alarms together to find the lockout trigger number.
4. Use **Up** and **Down** to adjust the white wire lockout trigger number.
5. Press **Next** to advance to the next wire trigger menu page and repeat steps 2 through 5, or, press **Exit** three times to return to the operation display.

Table: Default Triggers

Lockout Wire	Default Trigger
White	7373
Green	34
Orange	32767
Blue	0

Table: Lockout Codes

Condition	Code
Maximum wind speed	1
Minimum angle	2
Maximum angle	4
Overload	8
Not used	16
Maximum radius	32
Maximum length	64
Two-block	128
Maximum wind gust	256
Maximum rope payout	512
Slew Limit Left	1024
Slew Limit Right	2048
Maximum tip height	4096
Maximum imbalance factor	8192
Minimum slack rope	16384
Minimum list angle	32768
Maximum list angle	65536
Minimum trim angle	131072
Maximum trim rope	262144

Table: Example No. 1

Maximum radius	32
Minimum angle	+2
Default green wire trigger	= 34

Table: Example No. 2

Maximum wind speed	1
Maximum angle	4
Overload	8
Maximum length	64
Two-block	128
Slew Limit Left	1024
Slew Limit Right	2048
Maximum tip height	+ 4096
Default white wire trigger	= 7373

Lockout relay inversion. By default the lockout wires carry crane power supply voltage as long as the display is in safe condition.

! WARNING! Inverting lockout relays will allow crane operation in the event the GS550 display fails. Operating a crane without a functioning anti-two-block system and load and angle indication is dangerous and may be against the law.

Exceptionally the lockout relay can be inverted so that lockout wires carry no voltage in safe condition and carry crane power supply voltage when in a triggered lockout condition. In this case if the display fails, crane functions will not lockout.

1. Go to menu **4G8) LOCKOUT RELAY INVERTED**.
2. Use **Up** and **Down** to switch between “**YES**” and “**NO**”.
3. **Exit** three times to return to the operation display.

2.1e Password Settings

Two levels of access are available: administrator and user. The administrator password is required to change the user password. In the event both the administrator and the user passwords are lost please call **LSI** technical support. Menus accessible from the operation display can be individually protected by the user password.

1. Go to menu **4H1) SET ADMINISTRATOR PASSWORD**.
2. Menu **4H1) SET ADMINISTRATOR PASSWORD:** Press **Next** three times to advance to the set user password page or, to change the administrator password, use **Up** and **Down** to adjust the flashing letter and then use **Next** to advance to the next letter. Press **Enter** to save any changes.

3. Menu **4H2) SET USER PASSWORD:** Press **Next** three times to advance to the tare menu protection page or, to change the user password, use **Up** and **Down** to adjust the flashing letter and then use **Next** to advance to the next letter. Press **Enter** to save any changes.
4. Menu **4H3) TARE PROTECTED:** use **Up** and **Down** to switch between “**YES**” and “**NO**” and press **Next** to advance to the next menu page.
5. Repeat step 4 to adjust password protection for each menu as required. Press **Enter** at any time to save changes made. Press **Exit** at any time to return to menu **4) INSTALLATION**. If there are any unsaved changes the display will request confirmation: press **Enter** to save before quitting or press **Exit** to quit without saving.

2.2 Power Supply Verification

The power from the crane needs to be checked in the DC and AC modes under the following conditions:

- Engine start-up
- Engine idling
- Engine revving up, during complete process, not just when it is revved up
- Engine revving down, same process as above
- Engine shut-down

The DC power should not exceed 30 VDC and the AC should be negligible (<1VAC).

Power supply rating: 5A, 10-30Vdc

2.3 Load Cell

WARNING! Capacity and safety factor for load cells and adapter plate assemblies are calculated for loads along the intended axis of load (vertical with the assembly hanging free); side loading may cause load cell and adapter plate assembly to fail, causing load to drop. Lifts must be rigged such that the load cell and adapter plate assembly hang free and not be subjected to side loading.

CAUTION! The load cell must be centered on the pins to avoid uneven loading on the plate kit assembly.

IMPORTANT! The load cell antenna should not be in contact with metal.

IMPORTANT! For optimal performance and signal reception, the load cell antenna should have a clear line of sight to the GS550 display.

IMPORTANT! The load cell antenna should point to the left or to the right of the boom; it should not point directly to, or away from, the GS550 display.

1. Install load cell bushings as supplied by **LSI**. Assembly of the load cell and adapter plates must be configured to the pin size required by the specific dead end or hook to which it is to be attached. In all cases, the bushings supplied by **LSI** must be used where possible to adapt the holes in the load cell to the pins. Bushings must be secured with the two allen screws provided, one on each side of the load cell.
2. As required, place a washer between adapter plate and pin head or nut on each end of the pin that links the adapter plates to the load cell. Additional washers should be added equally to each end of the pin as required to inhibit excessive lateral movement of load cell (maximum 1/8" total movement) and adapter plates along the pin.
3. If the dead end or hook to be connected to the adapter plates requires a larger opening, washers may be placed between the load cell and the adapter plates equally on both sides of the load cell.

4. In all cases the washers must be placed symmetrically such that the load cell is centered on the pins to avoid uneven loading.
5. Secure the pins with the nuts and cotter pins provided.
6. A qualified (lift supervisor or crane inspector) person must verify every lift assembly before first use and periodically thereafter (one to twelve months), including before any new, difficult or otherwise different lift.

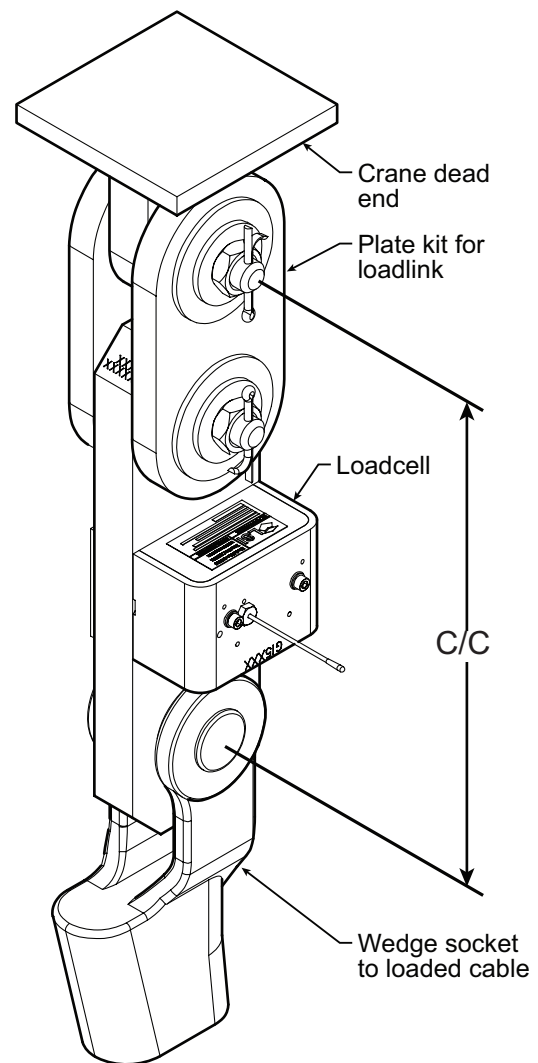


Figure: Typical load cell and adapter plate assembly installed.

2.4 Angle Sensors for the Boom or Jib



IMPORTANT! Keep the angle sensor away from the boom and any connecting metal structures when welding the metal lugs to the boom. Proximity to welding may cause permanent damage to the angle sensor and prevent accurate angle indication.

2.4a Mounting Procedure

The GS010 series angle sensors can be turned on by starting up the GS550 display to which they are programmed. The angle sensor can then assist in levelling itself with the red and green LED.

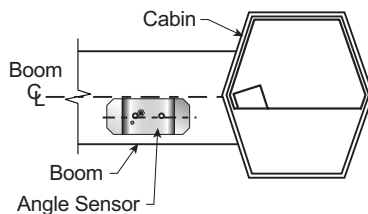


Figure: Angle sensor level with the boom (typical installation) - Side View

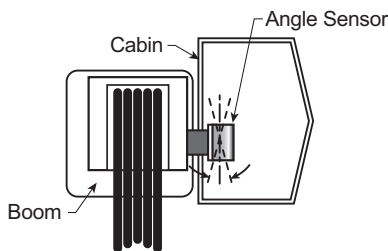


Figure: Angle sensor top/bottom axis within 15° of vertical (typical installation) - Front View

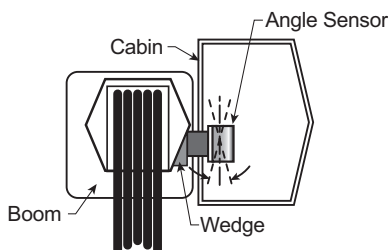


Figure: Wedge used to mount the angle sensor with its top/bottom axis within 15° of vertical (typical installation) - Front View

1. Determine the angle sensor position.



WARNING! The angle reading may be affected by vibration and may fluctuate; the angle sensor should not be installed in close proximity to a high RPM electric motor or other source of high frequency vibration.

- a. The GS010-01 boom angle sensor can be mounted on either side of the boom.

- b. The GS010-02 360° angle sensor must be mounted on the port side of the jib.
- c. The angle sensor must be level with the boom or jib centerline.
- d. The top / bottom axis of the angle sensor must be within 15 degrees of vertical
- e. The angle sensor should have a clear line of sight to the cabin mounted display.
- f. The angle sensor antenna should not contact a metal object.

2. Install the welding pads; keep the angle sensor at least three feet from the weld site and any connecting metal objects while welding.
3. Mount the angle sensor to the weld pads with the screws and washers provided.
4. Verify angle indication on the GS550 LCD.

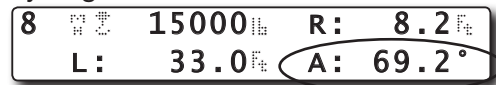


Figure: Typical operation page with boom angle indication

5. If the angle displayed by a GS010-01 boom angle sensor is a high negative value, then tilt the angle sensor up over 45 degrees, and then tilt back down to horizontal. The GS010-01 boom angle sensor will automatically detect on which side of the boom it is installed and correct angle indication accordingly.

2.4b Angle Calibration Procedure No. 1: Mechanical Set-Up

1. Level the boom such that it is perfectly horizontal; use a high quality bubble or digital angle sensor. If the GS550 display indicates 0.0 degrees then angle calibration is complete; if not then continue to step 2.



WARNING! Failure to ensure the boom is levelled will result in false reading of the crane's radius hence the risk of structural failure of the crane or crane tipping over.

*Note: When the angle sensor is moved very slowly, it may take several seconds to see an update at the GS550 display. Instead move the sensor up a couple of degrees, and then bring it back down to where it should be. The small light on the angle sensor flashes when it transmits a new value to the display. To assist at the calibration, the angle sensor could be set to transmit continuously for 5 minutes by entering the automatic calibration menu **4B1** and by selecting the angle sensor.*

2. For GS011 angle/length sensors only: Carefully remove the cover of the GS101 cable reel.
3. Loosen the mounting screw in the slotted hole of the angle sensor mounting plate.
4. Pivot the angle sensor slightly until angle indication is correct. Repeat the angle validation (step 1) as required.

2.4c Angle Calibration Procedure No. 2: Correct with the GS550

Calibrate angle indication by adjusting the trim (offset) value in the GS550 display; the GS550 will then communicate the updated trim value to the sensor.

1. Position the boom at a precisely known angle.
2. Go to **4B) SENSOR CALIBRATION** and press **Enter**.
3. Enter the user password (using **Back**, **Next**, **Up** and **Down** as described in **Password settings** section) and press **Enter**.
4. Go to **4B2A)**
5. Use **Back** and **Next** to select the angle sensor to be calibrated.
6. Press **Enter** and then **Next** to go to the trim adjustment page.
7. Use **Up** and **Down** to adjust the trim value.

Example: If angle indicated is 0.3° over the actual angle, adjust the trim value to -0.3.

Example: If angle indicated is 0.9° below the actual angle, adjust the trim value to 0.9.

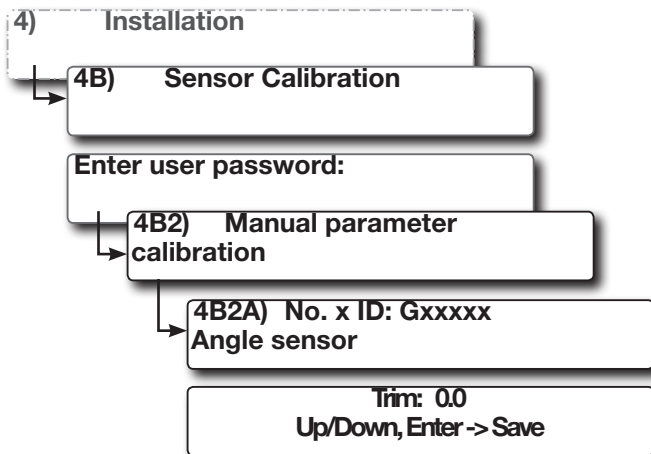


Figure: Angle Calibration Procedure No. 2

8. Press **Enter** to save changes.
9. Press **Exit** four times to return to the operation display.
10. Verify accurate angle indication at both very high and very low angles.

2.5 Anti-Two-Block Switch

WARNING! Keep the anti-two-block switch away from the boom and any connecting metal structures when welding mounting brackets to the boom. Proximity to welding may cause permanent damage to the anti-two-block switch and render the anti-two-block system unsafe.

IMPORTANT! To ensure reliable radio communication between the anti-two-block switch and the GS550 display the following conditions must be respected:

- The antenna of the anti-two-block switch should not be in contact with metal.
- The anti-two-block switch antenna should point to the left or to the right of the boom; it should not point directly to, or away from, the GS550 display.
- The anti-two-block switch antenna should have a clear line of sight to the GS550 display; in most cases this means mounting the sensor on the same side of the boom as the operator's cab.

Verify the anti-two-block switch is programmed to the GS550 display. Switches shipped with displays are pre-programmed in the factory. **Test:** if the switch has been programmed to the display then the display will go into two-block alarm when the switch is released. Press **Bypass** to silence the alarm until the next two-block event or simulation. If the switch has not been programmed to the display, this should be done before proceeding with installation. See the section **How to Add a Sensor to the GS550**.

2.5a Switch Bracket Installation LB011

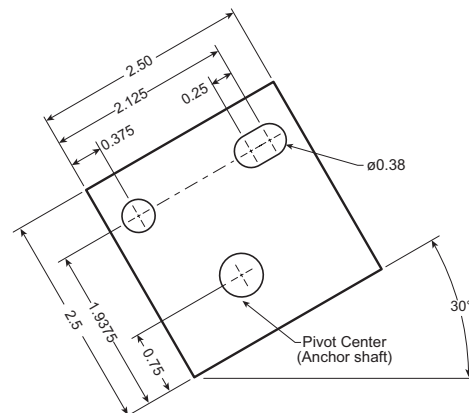


Figure: Bracket footprint and orientation, All dimensions are in inches. Not to scale.

Position the sensor mounting bracket. To ensure that the sensor can pivot securely on the mounting bracket throughout the full range of boom angle, the mounting bracket must be positioned at a 30° from horizontal with the boom parallel to the ground and such that the locking pin of the mounting bracket points up. **Bolt or weld securely.**

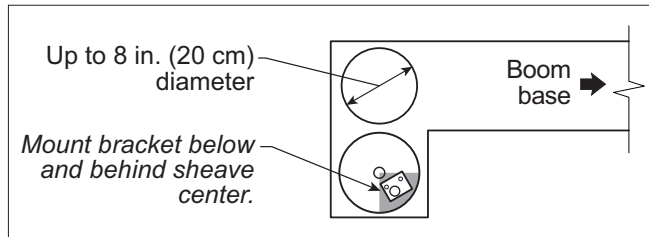


Figure: Anti-two-block switch placement on a telescopic boom

If the head sheave diameter is between 8 and 16 inches (20-41 centimeters) then two mounting brackets will be required to permit both live and dead end mounting.

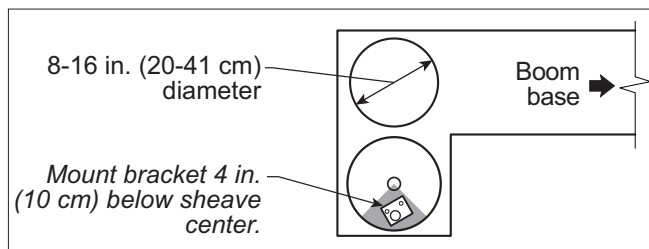


Figure: Anti-two-block switch placement for live end mounting on a lattice boom

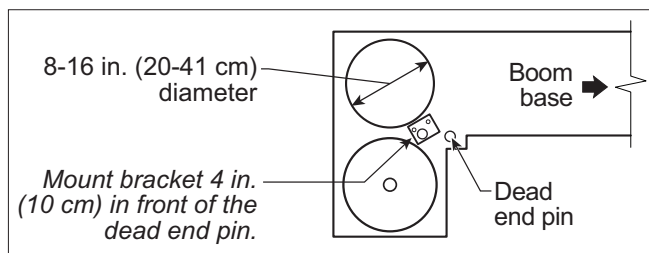


Figure: Anti-two-block switch placement for dead end mounting on a lattice boom

For live end mounting on multiple sheave blocks with sheaves greater than 16 inches (41 centimeters) in diameter consult your service representative.

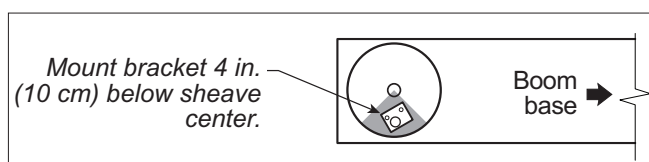


Figure: Jib, rooster or other extension; anti-two-block switch placement for single part of line operation only

For fast line weight installation place the anti-two-block switch mounting bracket directly below the sheave center as low and as close to the edge of the sheave as possible. Place the fast line weight mounting bracket on the opposite side of the sheave with the chain hole pointing down and lined up opposite the pivot of the anti-two-block switch mounting bracket.

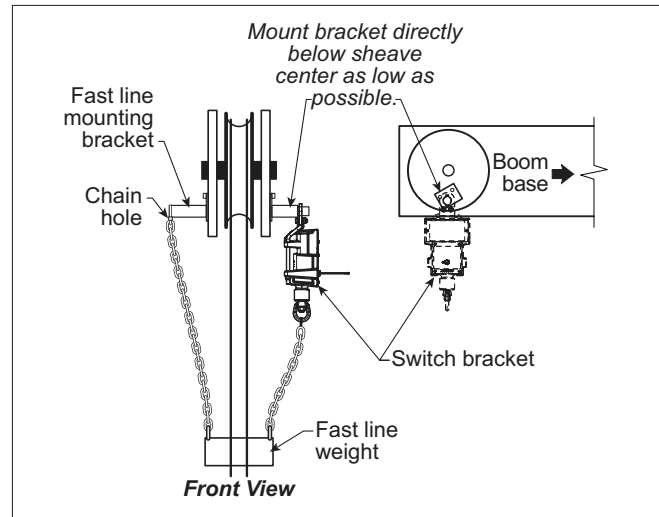


Figure: Fast line weight installation

2.5b GS075-B Installation

1. Install the GS075-B on the LB011 (switch bracket) already installed on the crane boom (step 2.5a), with the antenna pointing away from the boom.
2. Install a weight and chain assembly to the eye nut. The weight and chain assembly can either be supplied by **LSI** (as an option) or the original assembly supplied with the crane. If the original assembly is to be used, its total weight must not be more than 13 lb.

2.5c Chain length adjustment

1. Chain length adjustment No. 1 – minimum boom angle
 - a. At minimum boom angle, with no additional weight on the hook block and one part of line only, lift the boom just enough to have the hook block suspend and clear the sensor chain and weight.

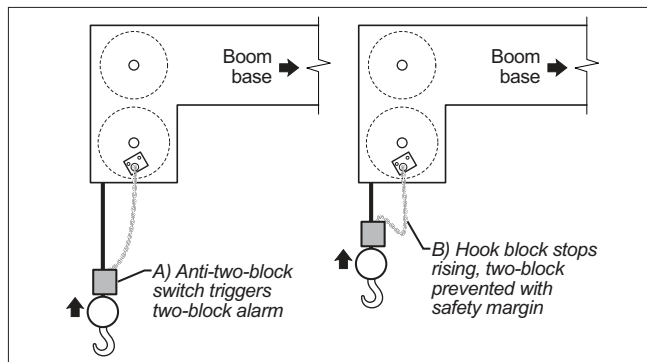


Figure: Chain length test at minimum angle

- b. Hoist slowly until the buzzer sounds. Note the hoisting distance remaining; this distance must be great enough to allow the operator and the lockout system, if installed, to prevent a two-block event. If necessary, add chain between the sensor and weight to increase warning distance. If still insufficient, contact your service representative.
2. Chain length adjustment No. 2 – maximum boom angle
 - a. Raise the boom to the maximum angle.
 - b. Hoist slowly as described in **Step 1.b**. Verify that the warning distance is equal to or greater than that determined at the minimum boom angle.

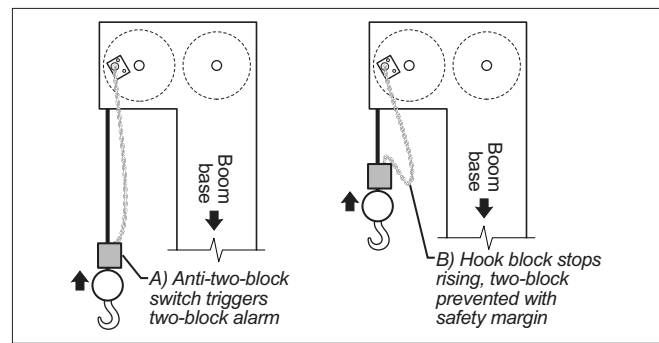


Figure: Chain length test at maximum angle

3. Chain length adjustment No. 3 – speed test: Lower the boom until the weight height becomes visually clear to the operator. Repeatedly create two-block, progressively hoisting faster, to ensure that the warning and lockout work within acceptable amount of time and distance. Increase the length of the chain if needed.



IMPORTANT!
To increase chain length, only use lightweight chain.

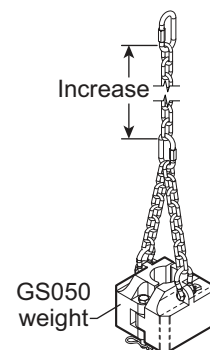


Figure: Chain length adjustment

2.6 Length Sensor Cable Reel

WARNING! Arc welding may damage LSI sensors, causing immediate failure or greatly reducing functional life. Arc welding on or near LSI equipment will void warranty. Keep LSI equipment well clear of any arc welding.

The GS101 includes the LS101 cable reel and the GS011 angle/length sensor. The GS011 is concealed under the cover of the LS101, though the antenna is visible. Following cable reel installation and boom length indication calibration, boom angle indication will have to be verified and possibly calibrated. Refer to **Angle Calibration Procedure No. 1: Mechanical Set-Up** and **Angle Calibration Procedure No. 2: Correct with the GS550**, sections of this manual.

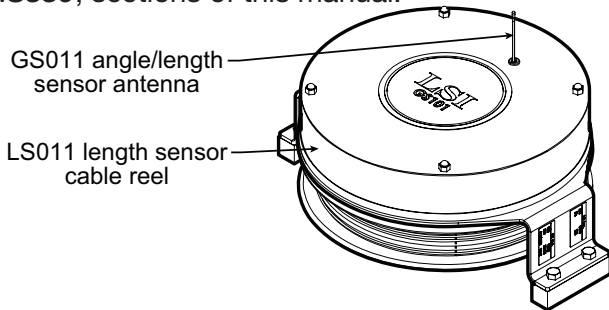


Figure: GS101 angle & length sensor

2.6a Maximum Boom Extension

Confirm the maximum extension of the LS101 cable reel is compatible with the maximum boom length.

Step 1. Note the cable reel maximum extension: 100 feet (30.5 metres) unless specified otherwise.

$$T = \underline{\hspace{2cm}}$$

Step 2. Note the retracted boom length.

$$A = \underline{\hspace{2cm}}$$

Step 3. Note the maximum extended boom length, not including jib.

$$B = \underline{\hspace{2cm}}$$

Step 4. Calculate maximum boom extension.

$$C = B - A = \underline{\hspace{2cm}}$$

Step 5. Compare cable reel maximum extension (T) to maximum boom extension (C).

$$D = T - C = \underline{\hspace{2cm}}$$

Maximum cable reel extension must be greater than maximum boom extension.

2.6b Mounting the Cable Reel

1. Determine placement. Find a clear mounting position on the left side of the first (main) section of the boom. The mounting position should be close to the base of the boom; at least ten feet (three metres) from the tip of the first section and where the cable reel won't obstruct free boom movement at all boom angles and slew (swing) positions. Furthermore, the reel must be placed such that the cable has a clear straight line to the end of the last section at all boom lengths.

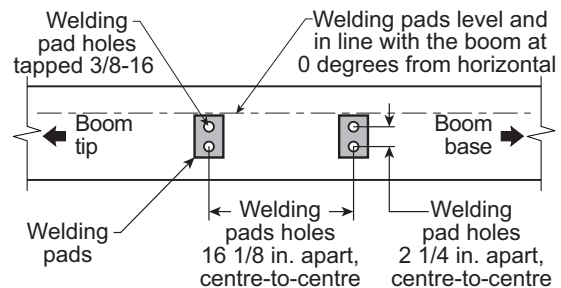


Figure: Cable reel mounting position

Note: When factory installed the GS011 angle/length sensor transmitter is integrated to the LS101 cable reel with the angle sensor zeroed. If the cable reel is installed perfectly level on the boom at 0 degrees, the angle sensor of the GS011 will also be zeroed. Minor adjustments to the angle sensor (within plus or minus two degrees) are possible after cable reel installation.

2. Mount the welding tabs. They must be placed parallel to each other, with 16 1/8" inches between the holes' centres. Install the tabs such that they create a level mounting position in line with the boom at 0 degrees.
3. Attach the reel to the welding tabs with the bolts provided.
4. Install the first cable guide (PA111) about 10 feet (3 metres) from the cable reel. Correct alignment of the first guide is critical to ensure orderly winding of the cable on the reel. Install the other guides at the end of each of the intermediate sections and the anchor (PA113) at the end of the last section. All guides must be aligned so as to permit unobstructed movement of the cable.
5. Pull out at least 5 feet (1-1/2 metres) of cable, but not more than half the excess extension of measurement D. Feed through the cable

guides and attach to the cable anchor on the tip of the last boom section. If additional cable length is required to reach the cable anchor point remove winds from the reel without putting additional tension on the cable reel spring. There should be minimal tension on the cable reel spring when the boom is fully retracted.

- Verify the boom length indicated on the GS550 LCD. Boom length is indicated following the length abbreviation "L", typically on the first or second display operation page. Boom length indicated should equal the actual total boom length. The actual boom length is the distance from the boom base pin to the head sheave centre as measured along the boom centerline. Depending on the exact placement of the cable reel and the cable anchor the displayed length may differ from the actual length.



Figure: GS550 LCD - Typical operation page two with boom length indication

2.6c Boom Length Calibration Procedure No. 1: Mechanical Set-Up

- Fully retract the boom

CAUTION! Visually monitor remaining length on the cable reel as the boom is extended for the first time following installation. This generally requires a second person (in addition to the operator).

- Adjust the loose wire rope at the boom tip so that the displayed boom length matches the actual boom length.

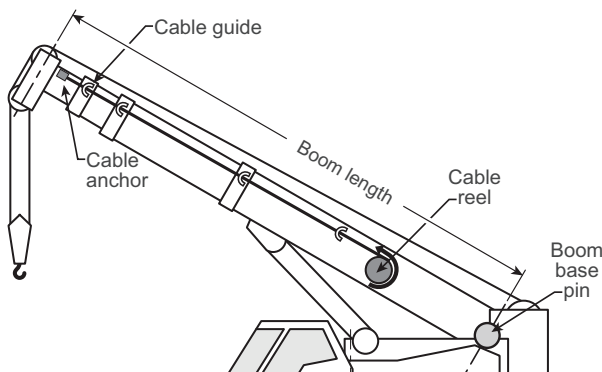


Figure: The actual boom length. typical installation.

- Fully extend the boom
- Verify the boom length indicated at full boom extension matches the actual fully extended boom length. If not then follow Boom Length Calibration Procedure No. 2: Correct with the GS550.

2.6d Boom Length Calibration Procedure No. 2: Correct with the GS550

If the displayed boom length does not match the actual length of the boom retracted or extended and if it is not possible to easily correct by following 2.6c Boom Length Calibration Procedure No. 1, then follow this procedure. This procedure is completed in the operators cab, it requires fully retracting, and then fully extending the boom, as prompted by the on screen instructions.

- Go to menu **4B) SENSOR CALIBRATION**.
- Press **Enter** to go to the password page.
- Enter the user password and press **Enter** twice to go to menu **4B1A)**.
- Use **Back** and **Next** to select the length sensor, and then press **Enter** to confirm communication with the sensor is possible.
- Press **Next** to start the wizard.
- Note the units that will be used during the calibration wizard, and then press **Next**.
- Fully retract the boom, and then press **Next**.
- Use **Up** and **Down** to adjust the length value displayed to equal the actual fully retracted boom length, and then press **Next**.
- Fully extend the boom, and then press **Next**.
- Use **Up** and **Down** to adjust the length value displayed to equal the actual fully extended boom length, and then press **Next**.
- Note the new trim value, and then press **Next**.
- Note the new scale value, and then press **Next**.
- Press **Enter** to send the new calibration to the length sensor.
- Press **Exit** three times to return to the operation display.

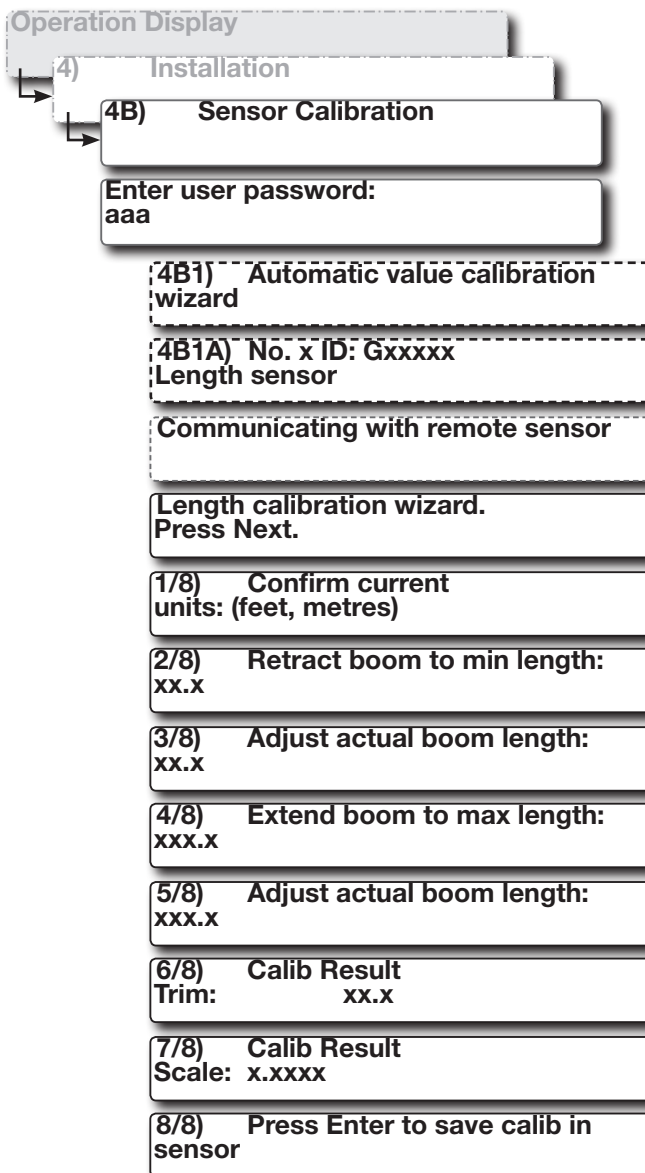


Figure: The boom length calibration wizard

2.7 Radius

2.7a Radius Verification and Adjustment

1. Verify the boom and luffing jib* angles, and the boom length**, are indicated correctly.
2. Verify the correct rated capacity chart is selected***.
3. Test No. 1: measure the actual radius and compare to the radius indicated. Repeat with the boom at minimum angle, at 45 degrees, and at maximum angle; repeat at minimum and maximum boom length**. If radius indication is not accurate then go to step 4.
4. Measure the **basic radius parameters** on the crane.
5. Program the basic radius parameters in the **RADIUS SETTINGS** menu.
6. Test No. 2: measure the actual radius and compare to the radius indicated. Repeat with the boom at minimum angle, at 45 degrees, and at maximum boom angle; repeat at minimum and maximum boom length**. If radius indication is not accurate then go to the next step.

Note: If the difference between the displayed radius and actual radius remains constant at all boom lengths and angles, then correct by adjusting the slew offset. For example: if the radius displayed is always 2.3 feet longer than the actual radius, then subtract 2.3 from the slew offset.

7. If the crane is rigged with the main boom only, then go directly to step 11.
8. If the crane is rigged with a rooster, jib, or other extension then the **advanced radius parameters** must be measured on the crane and then programmed in the **RADIUS SETTINGS** menu of the display.
9. Test No. 3: measure the actual radius and compare to the radius indicated. Repeat with the boom at minimum angle, at 45 degrees, and at maximum boom angle; repeat at minimum and maximum boom length**. If radius indication is not accurate then go to the next step.

* When the hoist is rigged off of a luffing jib only

** Telescopic boom cranes only

*** Systems with rated capacity charts programmed in the GS550 only

10. Test for boom deflection: is the radius indicated equal to the actual radius with the boom at 0 degrees and at 90 degrees but greater than the actual radius with the boom at 45 degrees? If yes then adjust the boom deflection value to compensate:

- Raise the boom to 45 degrees with a known load.
- Compare the indicated radius with the actual radius. Change the boom deflection value and again compare the radius displayed with the actual radius. Repeat until the radius displayed equals the actual radius.

Note: with the boom at 45° and the maximum load on the hoist, the boom deflection value should equal the difference between the actual and the displayed radius. With the boom at 45° and half the maximum load on the hoist, the boom deflection value should equal twice the difference between the actual and the displayed radius.

11. Test No. 4: measure the actual radius and compare to the radius indicated. Repeat with the boom at minimum angle, at 45 degrees, and at maximum boom angle; repeat at minimum and maximum boom length**. If radius indication is not accurate then refer to **Radius Settings**.

2.7b Radius Settings

- Go to menu **4C) RADIUS SETTINGS**.
- Enter the user password and press **Enter** to go to the first radius settings page **4C1) BOOM LENGTH**.
- Use **Back** and **Next** to navigate between the radius settings pages and use **Up** and **Down** to adjust the settings.
- Press **Enter** to save any changes and press **Exit** three times to return to the operation display.

IMPORTANT! Radius settings **4C14) to 4C21)** are specific to the hoist line (or sheave number) selected in **Select hoist main**.

** Telescopic boom cranes only

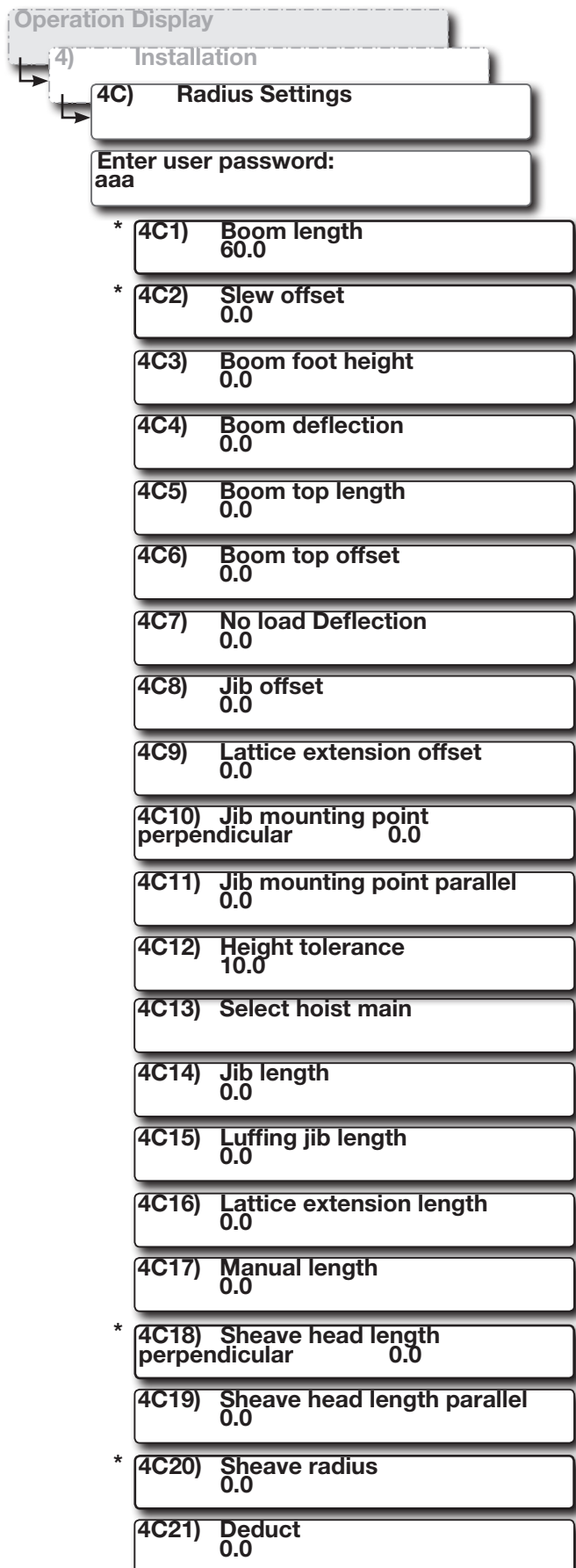


Figure: Radius settings

* Basic radius parameters

2.7c Basic Radius Parameters for a Lattice Crane

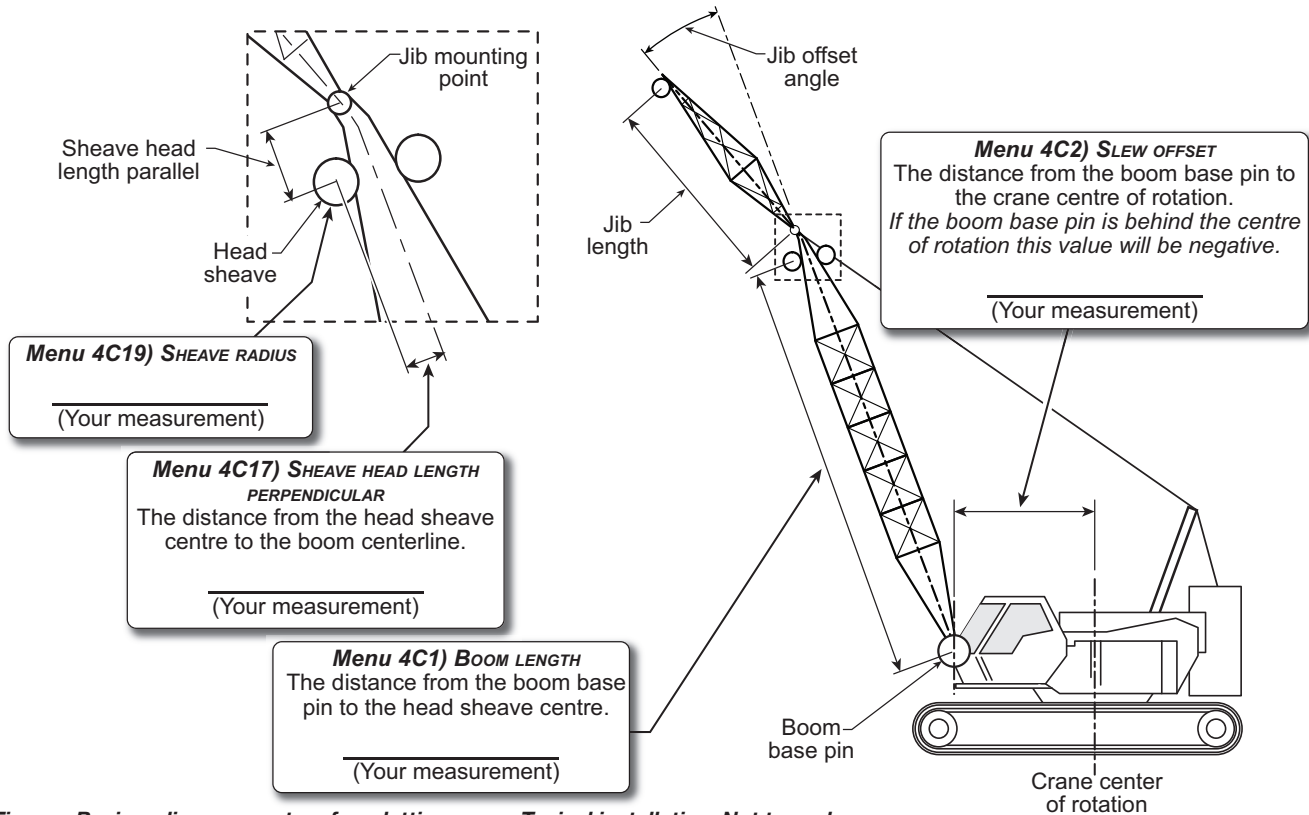


Figure: Basic radius parameters for a lattice crane. Typical installation. Not to scale.

2.7d Basic Radius Parameters for a Telescopic Boom Crane

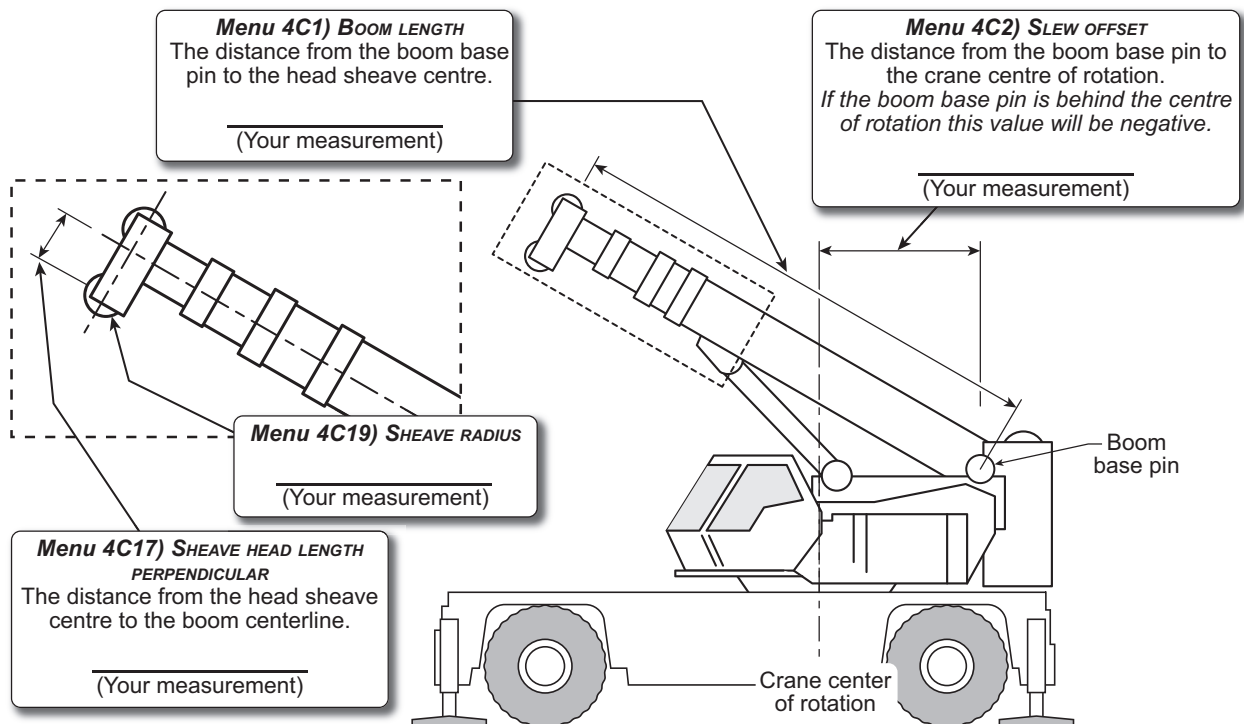


Figure: Basic radius parameters for a telescopic boom crane. Typical installation. Not to scale.

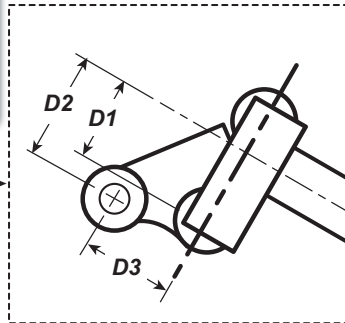
2.7e Advanced Radius Parameters

Typical sheave heads:

- SHEAVE HEAD LENGTH PERPENDICULAR = D1
- SHEAVE HEAD LENGTH PARALLEL = 0 (typical)

Special top sheaves (example: rooster):

- SHEAVE HEAD LENGTH PERPENDICULAR = D2
- SHEAVE HEAD LENGTH PARALLEL = D3



Extensions, two possibilities:

- 1) **MANUAL LENGTH:** the offset is always zero degrees.
- 2) **LATTICE EXTENSION LENGTH:** the offset angle must be adjusted.

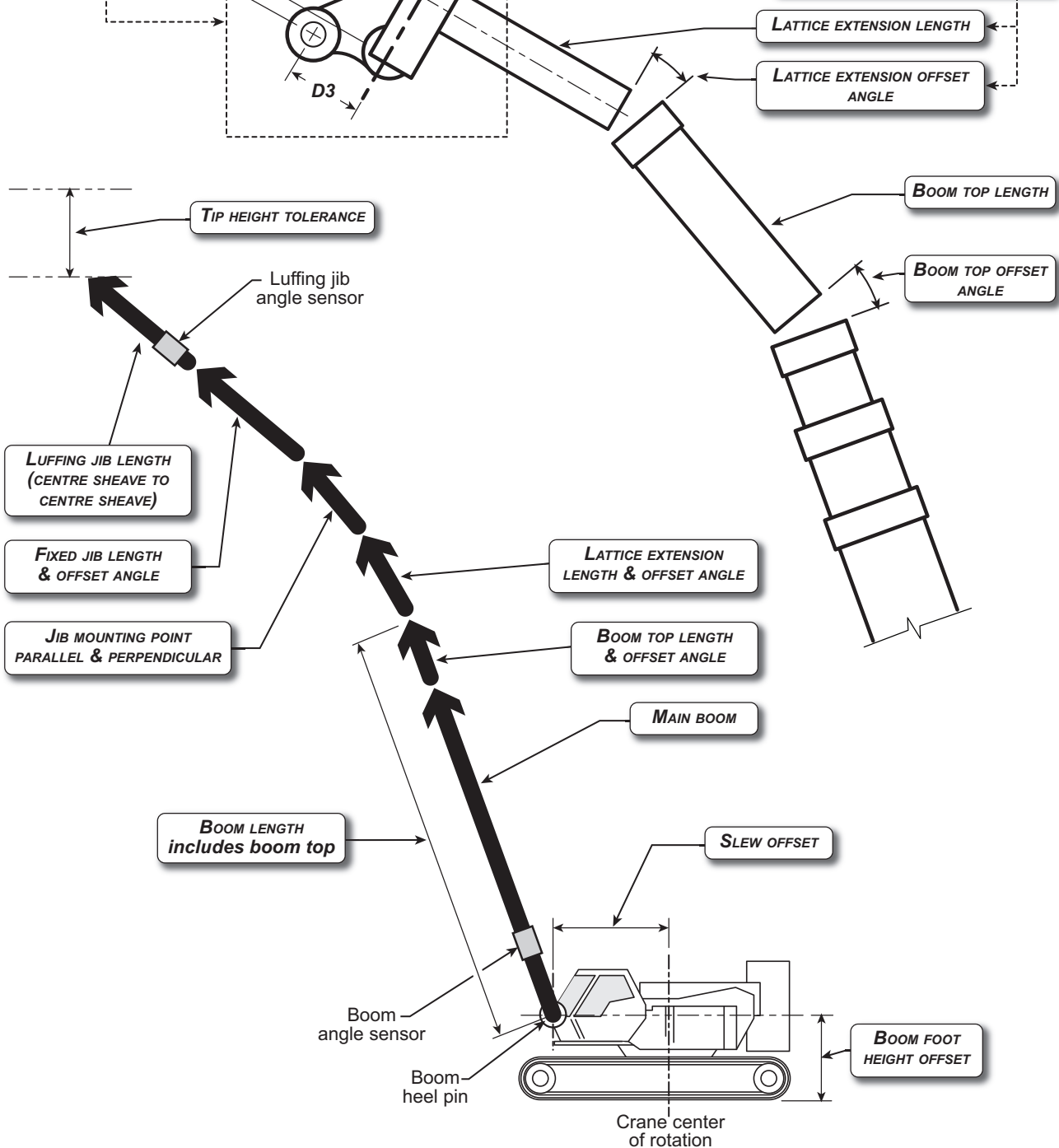


Figure: Advanced radius parameters. Typical installation. Not to scale.

2.8 Wireless Wind Speed Sensor GS020

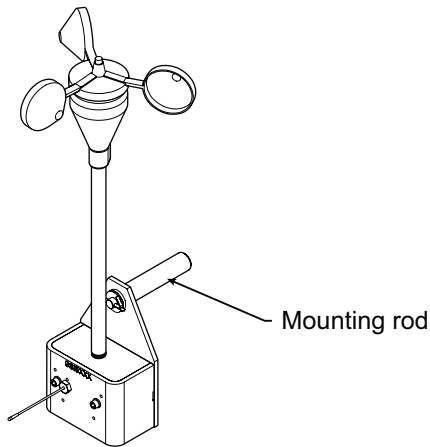


Figure: GS020 wireless wind speed sensor

1. Remove the mounting rod from the wind speed sensor.

IMPORTANT! Do not weld in proximity to LSI sensor/transmitters.

2. Determine the mounting rod position.
 - a. Install the mounting rod on the same side of the boom as the cabin mounted display, perpendicular to the boom, and at the highest point possible.
 - b. The wind speed sensor must pivot freely on the mounting rod at all boom angles.

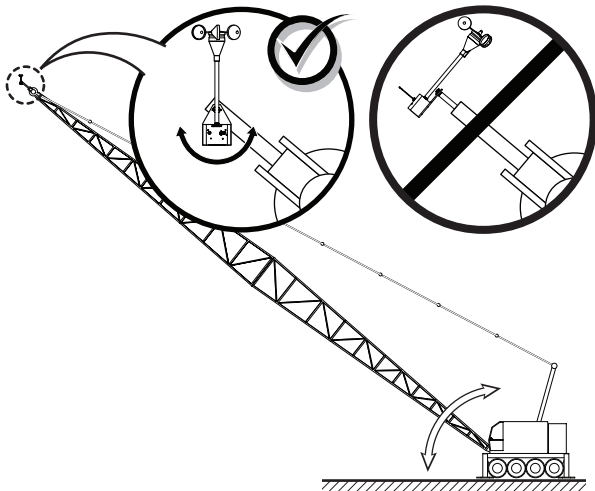


Figure: Swivel orientation

- c. The wind cups must be fully exposed to the wind and spin freely at all boom angles.

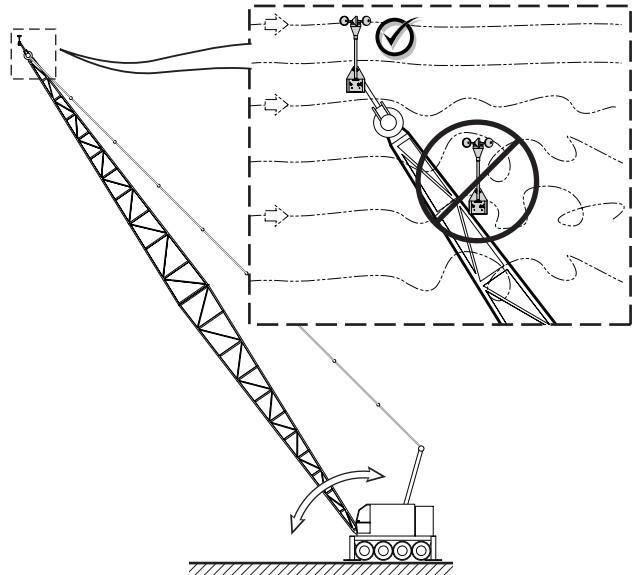


Figure: Wind clearance

- d. There should be a clear and unobstructed line of sight between the wind speed sensor antenna and the cabin mounted display unit.

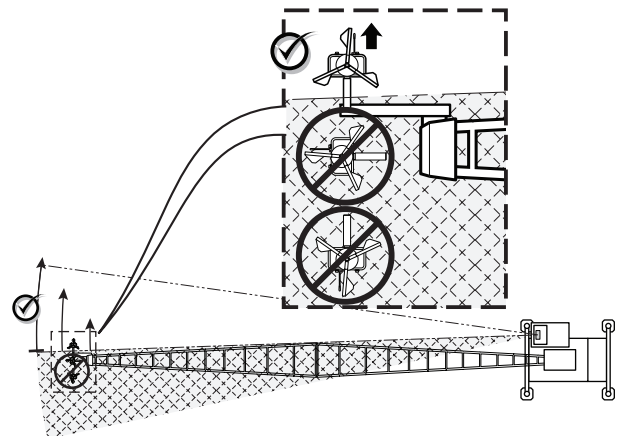


Figure: Radio line of sight - Crane top view

- e. The transmitter antenna should not contact any metal object.

Note: Angle iron can be used to extend the mounting position to be clear of the boom top.

3. Weld or screw the mounting rod to the boom at the selected position.
4. Re-position the wind speed sensor on the mounting rod, add the washer and secure with the cotter pin.

2.9 Wireless Load Pins

2.9a

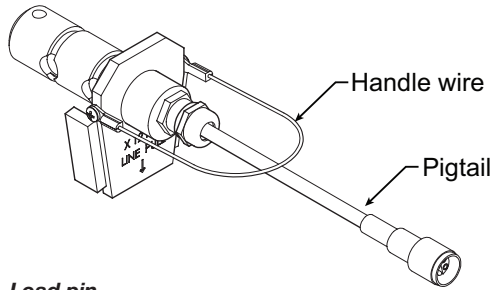


Figure: Load pin



IMPORTANT! Do not pull on a load pin by the pigtail, pull on the handle wire.

LP011, LP015, and LP026

1. Mount the load pin to the boom tip or block by replacing the pin of the wedge socket. The load pin is directional and must be oriented correctly to indicate load accurately. Install the pin so that the bracket embraces the wedge socket and prevents pin rotation.

Note: When installed at the boom tip the lot number can be read right side up and the "line pull" arrow points down towards the block. When installed at the hook ball or block, the lot number can be read upside down and the "line pull" arrow points up towards the boom tip.

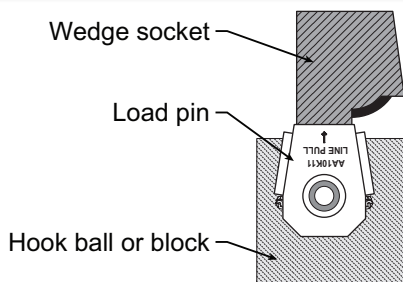


Figure: Load pin LP011, LP015 or LP026 - Installation on a single part block

2. Secure the load pin in place with a cotter pin or other suitable keeper device.

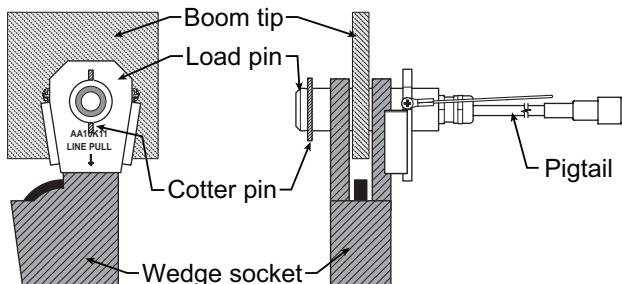


Figure: Load pin LP011, LP015 or LP026 - Installation at boom tip

2.9b Load Pin Transmitter GS001

1. Determine the transmitter mounting position.
 - a. The load pin and transmitter pigtails must connect easily without stretching or kinking at all boom angles and working conditions. The jumper cable may be used between the load pin and transmitter to increase transmitter placement options.
 - b. There must be direct unobstructed line of sight from the transmitter to the display; this may not be required on cranes with a maximum boom length less than 100 feet (33 metres).
 - c. The transmitter antenna must not be in contact with any metal object.
2. Weld the mounting blocks where required.



IMPORTANT! Do not weld in proximity to LSI sensor/transmitters.

3. Mount the load pin transmitter on the mounting blocks.

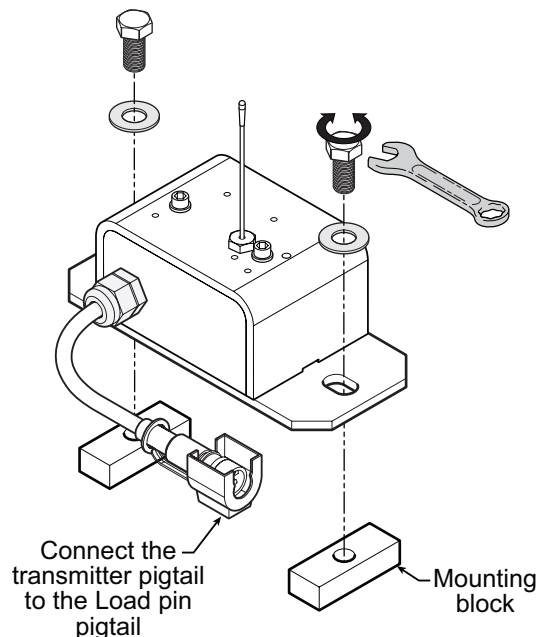


Figure: Install the load pin transmitter GS001

2.10 Line Riding Tensiometer

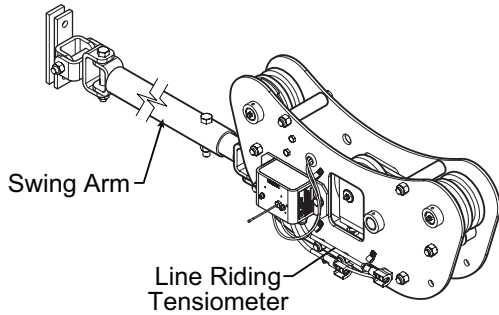


Figure: Line riding tensiometer

2.10a Line Riding Tensiometer Installation



CAUTION!

The Line Riding tensiometer must be held by the swing arm and the tension of the wire rope; do not fix the line riding tensiometer to the boom.

The Ratio of the distance between the line riding tensiometer and the hoist drum must be 18:1 as minimum to allow a normal winding on the drum.

The angle between the swing arm and the measured rope shouldn't exceed 30 degrees.

Two Landing Pads (Wooden cushion) must be added to allow line riding tensiometer sitting when the boom is down.

Nothing should limit free displacement of the swing arm & line riding tensiometer assembly at any boom angle or configuration.

Swing arm mounted

Application:

Most applications, mounted as far up the boom base as practical with the swing arm base attached near the tip of the butt section. This mounting allows the line riding tensiometer to follow the movement of the wire rope path.

Commentary:

Make sure that the swing arm is long enough to allow free movement at any boom angle.

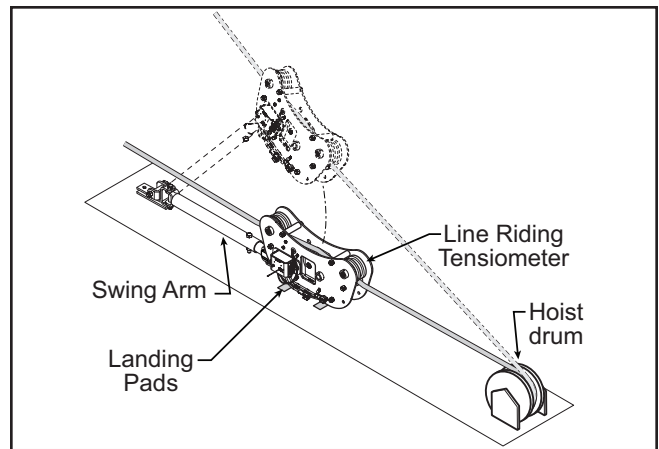


Figure: Typical installation (not to scale)

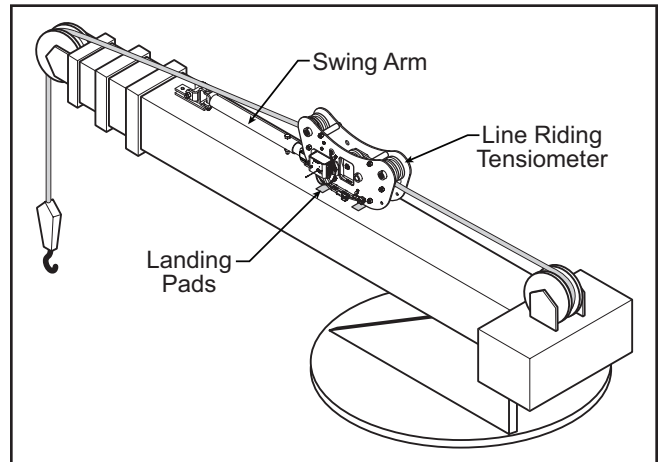


Figure: Example of a typical installation on a telescopic boom crane (not to scale)

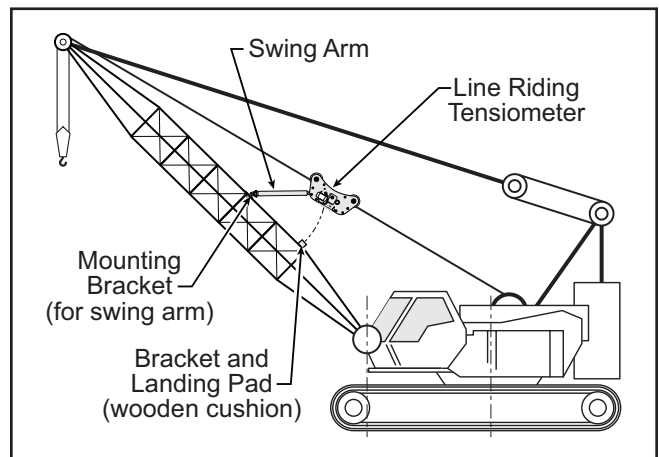


Figure: Example of a typical installation on a lattice boom crane, allows for lower clearance (not to scale)

2.10b Line Riding Tensiometer Installation on a Swing Arm

1. Verify that the line riding tensiometer size fits with the wire rope diameter.

Table: Line riding tensiometer part number and rope diameter.

Frame Sheave Size	P/N	GS series line-rider with swing-arm and transmitter P/N	Cable size Inches (mm)
Small (4.25")	LD006	GD004-0375	3/8"
Small (4.25")	LD006	GD004-0500	1/2"
Small (4.25")	LD009	GD004-0563	9/16"
Small (4.25")	LD010	GD004-0625	5/8"
Small (4.25")	LD012	GD004-0750	3/4"
Medium (6")	LD015	GD006-0875	7/8"
Medium (6")	LD017	GD006-0945	(24mm)
Medium (6")	LD016	GD006-1000	1"
Medium (6")	LD018	GD006-1125	1 1/8"
Medium (6")	LD020	GD006-1250	1 1/4" (32mm)
Large (8")	LD022	GD008-1375	1 3/8" (36mm)
Large (8")	LD024	GD008-1500	1 1/2"
Large (8")	LD026	GD008-1625	1 5/8"
X-Large (10")	LD028	GD010-1750	1 3/4"
X-Large (10")	LD031	GD010-1890	(48mm)
X-Large (10")	LD032	GD010-2000	2"
X-Large (10")	LD036	GD010-2250	2 1/4"

2. Identify the hoist rope and choose a proper place, normally as far up the butt section as practical, to install the swing arm.
3. Install the swing arm by welding, bolting or strapping it to the boom. It should be located to be as centered as possible with the boom end sheave and positioned such that neither the swing arm nor the line riding tensiometer interfere with the hoist rope or other objects.
4. Remove top sheaves and top bolts & spacers from the line riding tensiometer*. Place the line riding tensiometer on the unloaded hoist rope, oriented such that the transmitter antenna is on the cab side and the swing arm holes are

* The hoist rope can also be installed by passing the wire rope around the pulleys when the hook does not interfere.

directed to the boom top. Re-install bolts and sheaves.

5. Attach the swing arm end to the line riding tensiometer.
6. Verify that the angle the swing arm forms with the boom is not too large and that nothing limits free displacement of the swing arm and line riding tensiometer assembly at any boom angle or configuration. Extend the swing arm as needed.
7. If the line riding tensiometer has been supplied with rope payout, ensure that both proximity switches (led) operate as the appropriate sheave turns.
8. Verify that the sensor antenna is not curved.
9. Verify that all bolts are tight.
10. Operate the hoist to verify correct line riding tensiometer function.
11. Proceed to load pin / Line riding tensiometer calibration of the display/receiver (see **Line Riding Tensiometer Calibration** section).

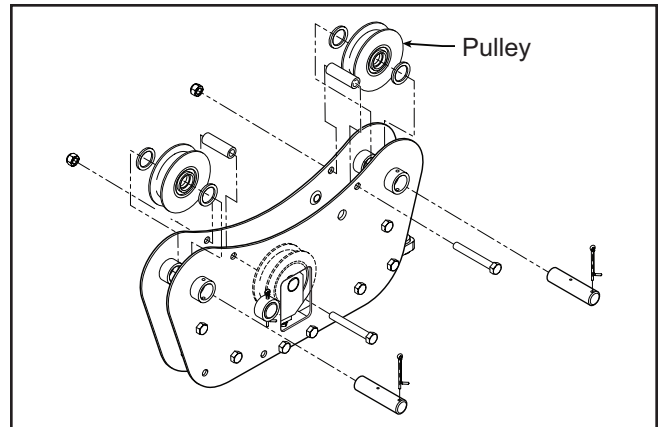


Figure: Removing top sheaves, bolts and spacers on Line Riding tensiometer type 1 (LD008 shown).

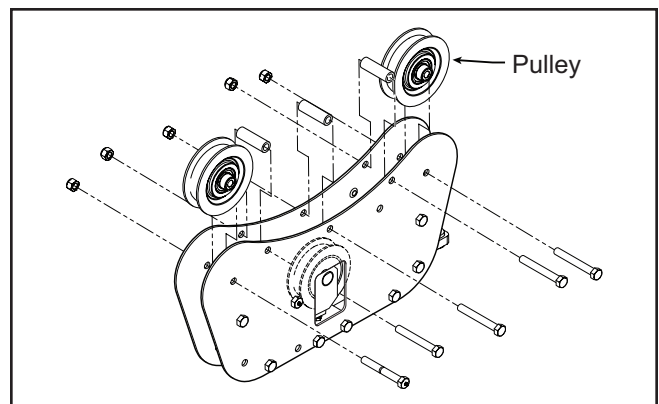


Figure: Removing top sheaves, bolts and spacers on Line Riding tensiometer type 2 (LD024 shown).

2.11 Load Pins, Line Riding Tensiometers and Compression Cells: Calibration

Load pins, line riding tensiometers and compression cells must be calibrated at installation and every time thereafter the installation, the load sensor or the load transmitter is changed.

This procedure requires two known weights. The first (light) weight should be about 10% of load sensor capacity and not less than 5%. The second (heavy) weight should be over 50% of capacity, and absolutely not less than 25%.

1. Go to menu **4B) SENSOR CALIBRATION** and press **Enter**.
2. Enter the user password and press **Enter** twice to go to menu **4B1A)**.
3. Use **Back** and **Next** to select the load sensor, and then press **Enter** to confirm communication with the sensor is possible.
4. Press **Next** to start the wizard.
5. Use **Up** and **Down** to adjust the actual parts of line on the load sensor, and then press **Next**.
6. Note the units that will be used during the calibration wizard, and then press **Next**.
7. Lift the first (lighter) known load, and then press **Next**.
8. Use **Up** and **Down** to adjust the load value displayed to equal the actual known load lifted, and then press **Next**.
9. Lower the first load, lift the second (heavier) known load, and then press **Next**.
10. Use **Up** and **Down** to adjust the load value displayed to equal the actual known load lifted, and then press **Next**.
11. Note the new trim value, and then press **Next**.
12. Note the new scale value, and then press **Next**.
13. Press **Enter** to save and send the new calibration to the load sensor.
14. Press **Exit** three times to return to the operation display.

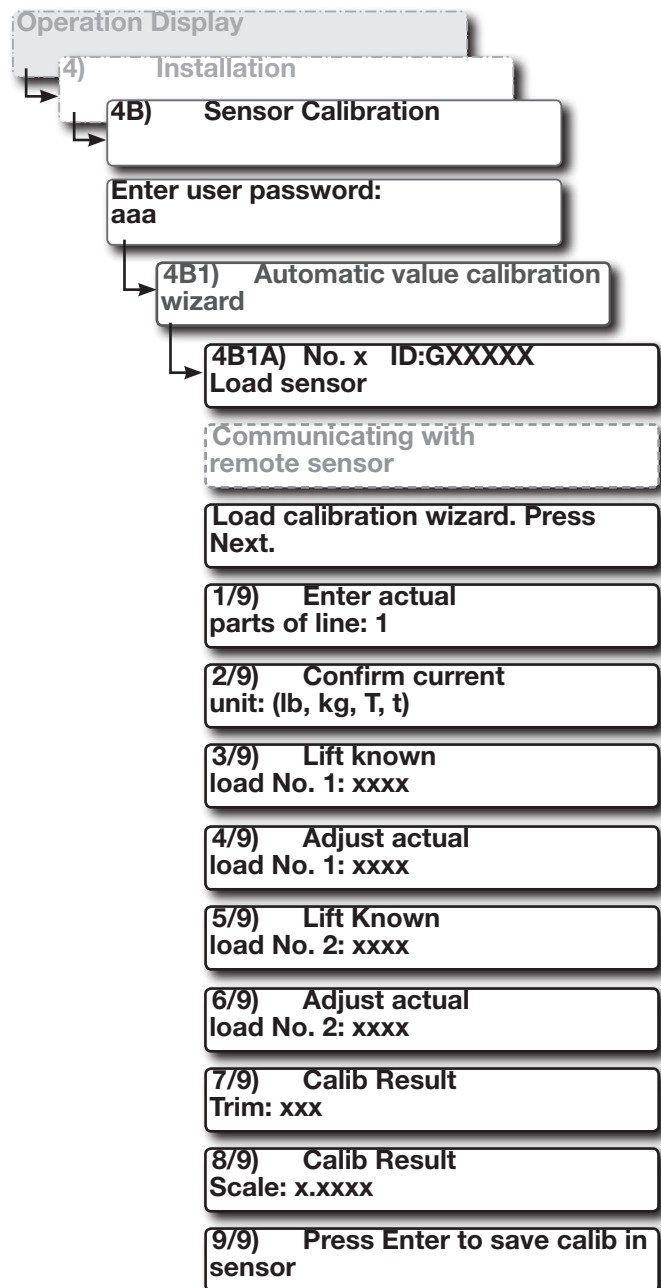


Figure: The automatic load calibration wizard

2.12 Four Point Lift

The following functions are available for applications such as container cranes and gantry cranes that require load indication from four load sensors simultaneously.

- Sum load indication
- Imbalance
- Slack Rope

These functions can be used to generate an alarm condition on the lockout wires of the GS550.

2.12a Sum Load Indication

When sum load indication is programmed the sum of the loads on the pre-determined load sensors is indicated by the operation display. To activate sum load indication program a “Sum load sensor” in the sensor list. The “ID number” is used to identify the load sensors to be summed.

Sum maximum limit. The maximum limit for the sum load can be adjusted in the limit menu; the default maximum limit for sum load indication is 10000 (lb or kg depending on load display units).

Program sum load indication

1. Go to menu **4A1) SENSOR LIST**.
2. Press **Next** repeatedly to advance to the next available sensor position, usually following the four load sensors.
3. Determine the sum load cell “ID number”. For example: ID 1234 to indicate the sum of load sensors No. 1, No. 2, No. 3, and No. 4, or ID 34 to indicate the sum of load sensors No. 3 and No. 4.
4. Use **Up** and **Down** to adjust the ID number.
5. Press **Next**.
6. The sensor type should flash; use **Up** and **Down** to select the sensor type “Sum load cell”.
7. Press **Enter** to save any changes.
8. Press **Next** to program the imbalance sensor or press **Exit** three times to return to the operation display.
9. Adjust the sum maximum limit in the limit menu.

2.12b Imbalance

Systems programmed for four load sensors and four load sum indication can be programmed with an imbalance sensor to warn against uneven load distribution or against unwanted rope payout if one corner of the load touches down before the others.

Imbalance factor limit. The imbalance factor is the percent difference between the load on one load sensor and the average load on the other three. The imbalance factor is calculated for each of the four load sensors and then compared to an adjustable limit. The default imbalance factor limit is 15%.

Imbalance minimum limit. Imbalance is not calculated when the four load sum is below the imbalance minimum limit. Adjust this limit to avoid generating an imbalance alarm under minimum load conditions (for example: with an empty container or with rigging only). The default imbalance minimum limit is 1000 (pounds or kilograms depending on load display units).

Examples:

Imbalance factor calculation for load sensor № 1

$$\text{Load № 1 (A) Imbalance Factor} = 100 \times \frac{(\text{Average B,C,D}) - A}{(\text{Average B,C,D})}$$

A = Load № 1	B = Load № 2
C = Load № 3	D = Load № 4

If the imbalance factor limit is 15%, then the system is safe.

$$\text{Load № 1 (A) Imbalance Factor} = 100 \times \frac{8100 - 7500}{8100} = 7.5 \%$$

A = 7500	B = 8100
C = 8000	D = 8200

If the imbalance factor limit is 15%, then an imbalance alarm is generated.

$$\text{Load № 1 (A) Imbalance Factor} = 100 \times \frac{8100 - 6800}{8100} = 16 \%$$

A = 6800	B = 8100
C = 8000	D = 8200

Program the imbalance sensor

1. Go to the sensor list, menu **4A1**.
2. Press **Next** repeatedly to advance to the next available sensor position, usually following the four load sensors and the sum load sensor.
3. The ID can be left at 0, press **Next**.

4. The sensor type should flash; use **Up** and **Down** to select the sensor type “*Imbalance sensor*”. Only one imbalance sensor is required to calculate imbalance for all four load sensors.
5. Press **Enter** to save any changes.
6. Press **Exit** three times to return to the operation display.
7. Confirm the imbalance factor limit and the imbalance minimum limit in the limit menu.

2.12c Slack Rope

Systems programmed for four load sensors and four load sum indication can be programmed with a slack rope sensor to warn against unwanted rope payout when the load touches down.

Slack rope minimum limit. The slack rope sensor compares the sum load to an adjustable slack rope minimum limit. When the sum load goes below the slack rope limit a slack rope alarm is generated. The slack rope limit is usually adjusted to less than the weight of all rigging below the load sensors. The default slack rope minimum limit for is 1000 (pounds or kilograms depending on load display units).

Program the slack rope sensor.

1. Go to the sensor list, menu **4A1**.
2. Press **Next** repeatedly to advance to the next available sensor position, usually following the four load sensors, the sum load sensor and the imbalance sensor.
3. The ID can be left at 0, press **Next**.
4. The sensor type should flash; use **Up** and **Down** to select the sensor type “*Slack rope sensor*”. Only one slack rope sensor is required to calculate slack rope for all four load sensors.
5. Press **Enter** to save any changes.
6. Press **Exit** three times to return to the operation display.
7. Adjust the slack rope minimum limit in the limit menu.

2.13 List and Trim Angle Sensor

The GS010-03 is a two axis angle sensor designed to detect both list and trim angle. Minimum and maximum limits for list and trim angle are adjustable in the display. The display will generate an alarm if the limits are exceeded and can be programmed to generate lockout. Furthermore list and trim angle can be used to control rated capacity chart selection where required (example: barge cranes).

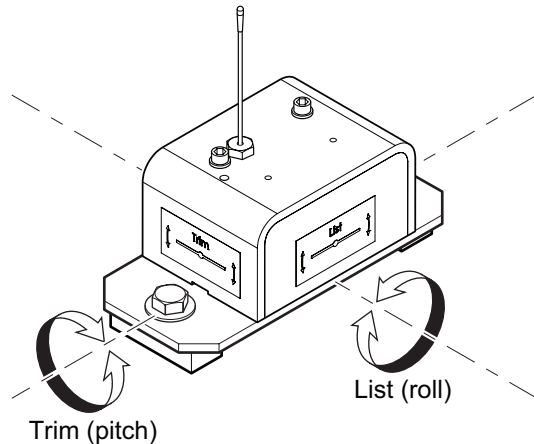


Figure: List and Trim axes

2.13a Programming the GS550 for List and Trim Indication

For list indication, add the GS010-03 ID number to the sensor list (menu **4A1**) and select the sensor type “List sensor”.

For trim indication, add the GS010-03 ID number to the sensor list (menu **4A1**) and select the sensor type “Trim sensor”.

The maximum and minimum angles for list and trim indication can be adjusted in the limit menu. The default limits are 10.0° maximum and -10.0° minimum.

2.13b Mounting Instructions

IMPORTANT! Remove the angle sensor from any connecting metal structures or surfaces when welding the metal lugs to the mounting surface. Proximity to welding may cause permanent damage to the angle sensor and prevent accurate angle indication.

1. Determine the angle sensor position.
 - a. The mounting surface should be flat and known to be level (0°) in both the list and trim axes.
 - b. The angle sensor should have a clear line of sight to the cabin mounted display.
 - c. The angle sensor should be installed horizontally, with the antenna pointing up.
 - d. The list and trim axes are indicated on the angle sensor, follow these indications to orient the sensor correctly for accurate list and trim indication.
 - e. The angle sensor antenna should not contact a metal object.
2. Install the welding pads; keep the angle sensor well removed from the weld site and any connecting metal objects while welding.
3. Mount the angle sensor to the weld pads with the screws and washers provided.
4. Verify list and trim angle indication by the GS550; in operation display, use **Next** to advance to the list and trim indication page.

Trim angle:	0.5°
List angle:	-1.2°

Figure: Trim and list angle indication

2.13c List and Trim Angle Calibration Procedure

Calibrate angle indication by adjusting the offset values for list and trim in the GS550 display; the GS550 will then communicate the updated offset values to the sensor.

1. Install the sensor at a precisely known list and trim angle.
2. Go to menu **4B) SENSOR CALIBRATION**.
3. Press **Enter** to go to the password page.
4. Enter the user password and press **Enter** twice to go to **4B1A)**.
5. Use **Back** and **Next** to select the trim (or list) sensor.
6. Press **Enter, Next** to go to the first step of the calibration wizard; note the uncorrected angle indicated.
7. Press **Next** to go to the second step, angle correction. Use **Up** and **Down** to adjust the angle value indicated until it is equal to the known angle.
8. Press **Next** to go to the third step, note the offset value.
9. Press **Enter** to save and communicate changes to the sensor.
10. Repeat steps 4 through 9 for the list angle.
11. Press **Exit** four times to return to the operation display.
12. Verify accurate list and trim angle indication.

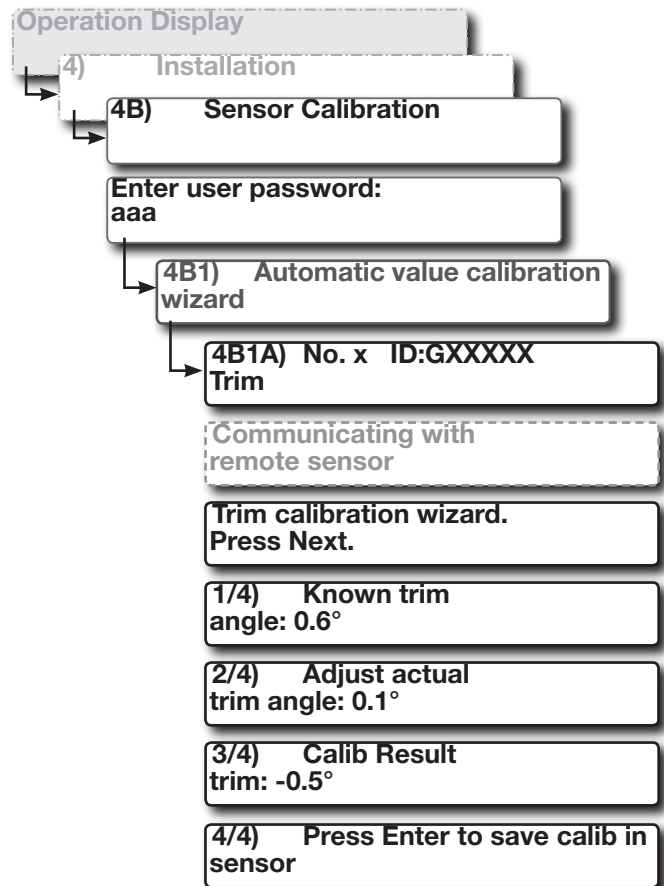


Figure: Trim angle calibration

2.14 Rope payout

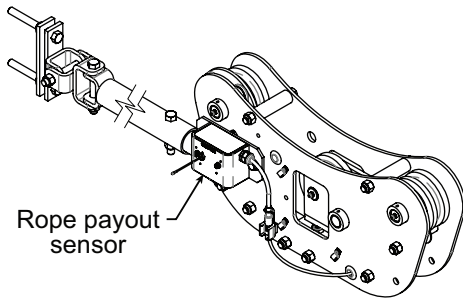


Figure: Rope payout on a line riding tensiometer

Typically the rope payout sensor is factory installed on the line riding tensiometer load sensor (figure above). Alternatively the rope payout sensor may be installed on an appropriate sheave (figure below). A GS550 display can then be programmed to communicate with the sensor and to indicate rope payout (length) and rope speed.

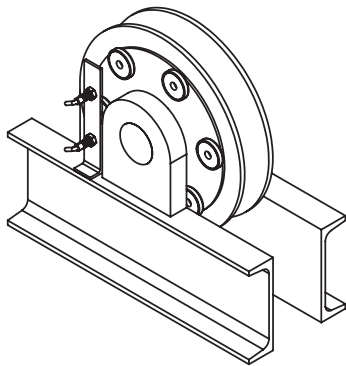


Figure: Alternative installation of a rope payout

Zero the rope payout using the Tare menu before calibration.

2.14a Rope Payout Calibration Procedure No. 1: Mechanical Set-Up

1. Hoist up to reel in the wire rope fully.
2. Install the rope payout system.
3. Zero the rope payout length in the Tare menu
4. Hoist down to pay out a known length of wire rope (for example: 20 feet).
5. Verify the rope payout indicated matches the actual length of wire rope paid out. If not then follow Rope Payout Calibration Procedure No. 2.

2.14b Rope Payout Calibration Procedure No. 2: Correct with the GS550

If rope payout indicated does not match actual rope payout, and if it is not possible to easily correct by following Rope Payout Calibration Procedure No. 1, then follow this procedure. This procedure requires hoisting up to fully reel in the wire rope, and then hoisting down to pay out a known length of wire rope. For accurate calibration the “known length” paid out must be accurately measured.

1. Go to menu **4B) SENSOR CALIBRATION** and press **Enter**.
2. Enter the user password and press **Enter** twice to go to menu **4B1A**).
3. Use **Back** and **Next** to select the rope payout sensor, and then press **Enter** to confirm communication with the sensor is established.
4. Press **Next** to start the wizard.
5. Note the units that will be used during the calibration wizard, and then press **Next**.
6. Hoist up (pay in) the wire rope and then press **Next**.
7. Use **Up** and **Down** to adjust the actual wire rope payout length and then press **Next**.
8. Hoist down (payout) the wire rope and then press **Next**.
9. Use **Up** and **Down** to adjust the actual wire rope payout length and then press **Next**.
10. Note the new trim value, and then press **Next**.
11. Note the new scale value, and then press **Next**.
12. Press **Enter** to save and send the new calibration to the rope payout sensor.
13. Press **Exit** four times to return to the operation display.

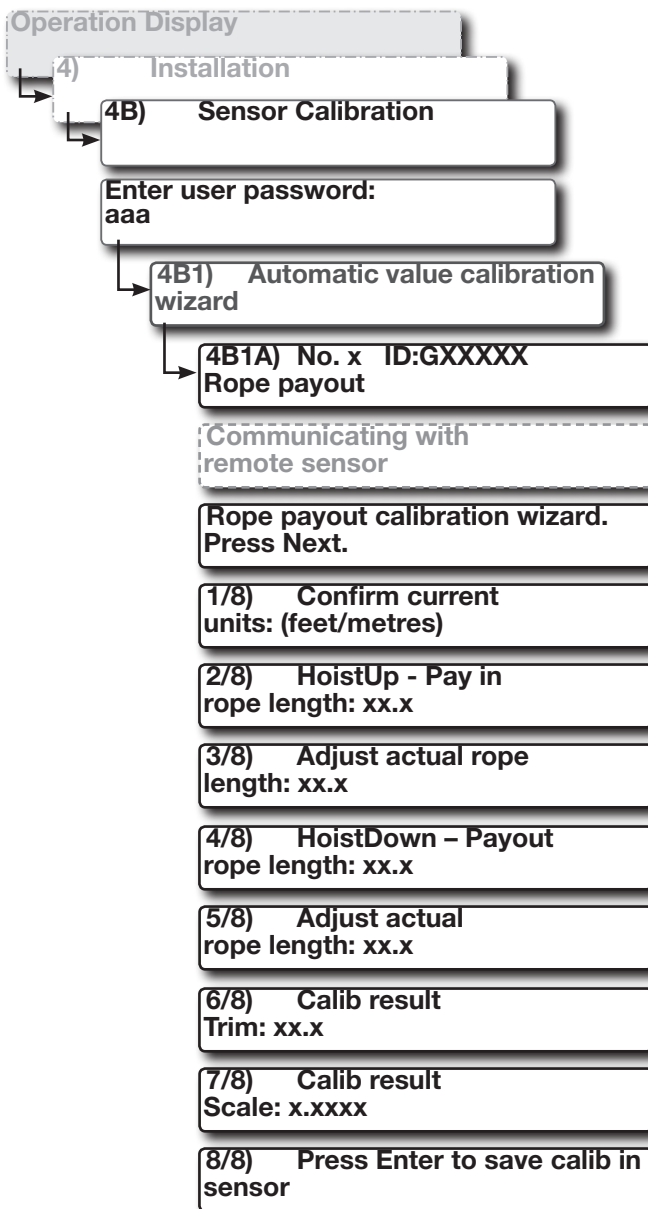


Figure: Rope payout calibration

2.14c Rope Payout Limits

The minimum and maximum rope payout (length) limits and the maximum rope speed limit can be adjusted in the display in the limit menu. The maximum rope payout limit can be programmed to trigger lockout when exceeded, see menu **4G) LOCKOUT SETTINGS**. The minimum rope payout limit and the maximum rope speed limit will trigger an alarm when exceeded. The default limit for maximum rope payout is 300 feet; the default minimum limit is -300 feet. The default limit for maximum rope speed is 15.0 feet per second.

2.15 Slew Sensor Installation

2.15a Encoder Gear Verification

Verify that the slew (swing) sensor was supplied with the correct gear for your application;

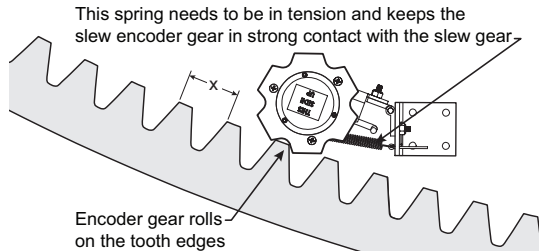


Figure: Encoder gear verification.

- Roll the encoder gear on the crane slew gear; it should roll without skipping.
- The distance between the leading edges (X) of the slew gear teeth should correspond to the gear model shipped with your order.

Example: P/N PA133-01 corresponds to a slewgear with teeth leading edges 2 in. apart.

Note: The slew sensor can be installed on either internal or external tooth slew gears.

WARNING! Missing or damaged teeth on the crane slew gear will prevent proper operation of the slew sensor and render the system unsafe.

2.15b Slew Encoder Location

- Install the slew encoder near the crane slew gear where it will roll freely on the slew gear when the crane slews.

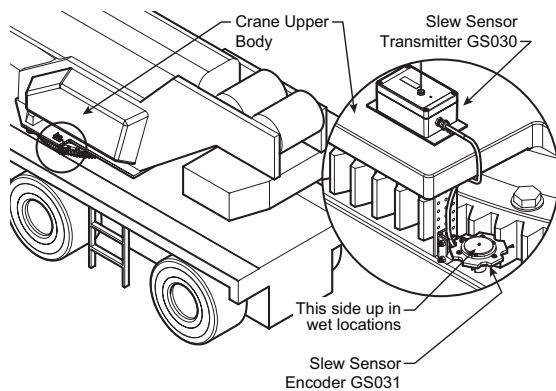


Figure: Slew encoder location. Typical installation.

- Make sure that the slew encoder does not come into contact with any other parts of the crane through the full motion of the crane upper body.

2.15c Slew Encoder Orientation

The slew encoder bracket is designed so that the encoder can be installed on either bottom, top or side surfaces. If the surface on which the sensor is to be installed is not at a square angle to the slew gear, the mounting plate can be bent and/or cut.

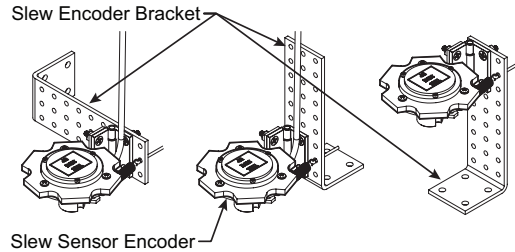


Figure: Slew encoder bracket orientation.

2.15d Slew Encoder Installation

- Find a rigid, level space near the slew gear to install the slew encoder mounting bracket.
- Weld the mounting bracket in place or install with 1/4 in. screws. The screws can be installed directly on the crane plate or a custom weld pad can be built and welded on the crane.

WARNING! Keep the slew encoder away from any connecting metal structures when welding mounting bracket to the boom. Proximity to welding may cause permanent damage to the slew encoder and render the system unsafe.

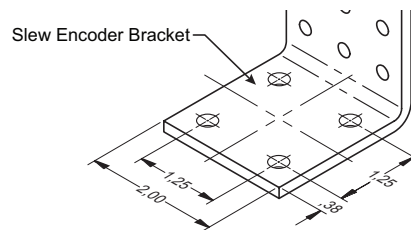


Figure: Mounting bracket footprint. Dimensions are in inches.

- Once the mounting bracket is installed, screw on the encoder with the nuts and bolts provided. Put tension on the spring by inserting the cotter pin in the middle hole in front of the hinge.

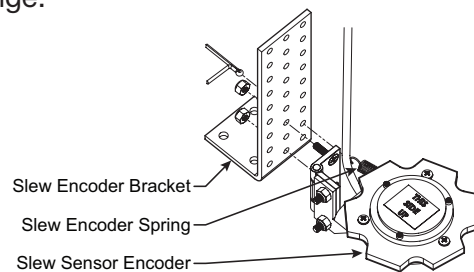


Figure: Slew encoder installation. Typical installation.

Note: The tension applied by the slew encoder spring is required to keep the encoder gear in contact with the slew gear.

2.15e Slew Transmitter Location



IMPORTANT! To ensure reliable radio communication between the slew sensor and the GS550 display, the following conditions must be respected:

- The antenna of the slew transmitter should not be in contact with metal.
- The antenna should point to the left or to the right of the boom; it should not point directly to, or away from, the GS550 display.
- The antenna should have a clear line of sight to the GS550 display; in most cases this means mounting the transmitter outside of the crane structure on the same side of the boom as the operator's cab.

The slew transmitter is connected to the slew encoder with a 6 ft. cable but it can be installed beside the transmitter if convenient; the cable can be cut to the length required.

2.15f Slew Transmitter Installation



IMPORTANT! The transmitter must be installed such that it does not interfere with the crane through all normal movements. It may be installed at any angle as long as the cover can be removed when required to change the battery.

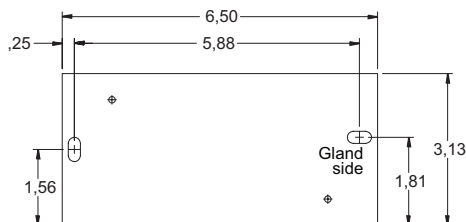


Figure: Slew transmitter. Dimensions are in inches. Not to scale.

1. Screw the slew transmitter to a flat surface with 1/4 in. screws.
2. If needed, weld pads can be used to facilitate transmitter installation.



IMPORTANT! Do not weld in proximity to LSI sensor/transmitters.

3. Tie wraps can be used to secure the cable between the encoder and transmitter.

2.15g Cable Length Adjustment

If the cable between the encoder and transmitter is too long, it can be cut to the desired length;

1. Remove the cover from the transmitter using either a flat or a Phillips No. 2 screwdriver.
2. Using a small flat screwdriver, loosen the 6 screws of the terminal block and remove the wires from it. Lay down the transmitter cover on a clean surface.
3. Loosen the cable gland with a 3/4 in. wrench and pull the cable from the inside of the transmitter box until you reach the desired length. Tighten the gland back with the wrench. **Do not overtighten.**
4. Cut the cable excess, leaving about 4 in. in the transmitter box. Remove the sheath to about 2 in., remove the shield and remove the individual sheaths on the 6 wires to about 1/4 in. Connect the 6 wires in the terminal block respecting the color codes and tighten the terminal block screws.
5. Replace the transmitter cover and screw it in place.
6. **Test the sensor for proper function:** start-up the display and move the encoder wheel.

2.16 Slew sensor calibration

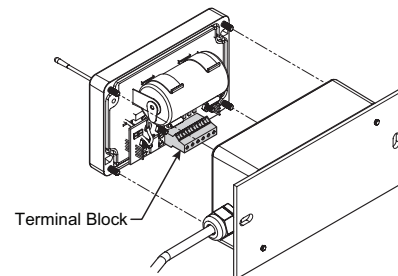


Figure: Cable length adjustment.

The slew sensor need to be calibrated on the crane where it is installed on before utilization.

1. Go to Menu **4B1A)**, select the slew sensor and press **Enter**. Press **Next** to start the slew calibration wizard.
2. Menu **1/5) CRANE GEAR TEETH:** Enter the teeth count of crane's slew gear.
3. Menu **2/5) SENSOR GEAR TEETH:** Enter the teeth count of the gear of the slew sensor installed.
4. Menu **3/5) ADJUST/CONFIRM SLEW VALUE:** Enter the current position of the slew (swing).
5. Menu **4/5) REVERSED ROTATION:** Depending on how the slew sensor is installed, the rotation direction may be reversed. The slew value should go up when you swing to right (clockwise).
6. Menu **5/5) PRESS ENTER TO SAVE CALIB IN SENSOR:** the settings will be saved in the sensor.

2.17 Data Logger

The GS550 includes a data logger that records all significant events including actual sensor values and a date and time stamp. The data logger memory can hold over 16 000 records, this is equivalent to several days or several years of operation depending on the recording mode selected and machine use. The data can be extracted using a USB mass storage device (USB key) and then transferred to a personal computer for analysis.

2.17a Recording Modes

Adjust the data logger recording mode as required:

1. Go to menu **4F1) DATA LOGGER MODE**.
2. Use **Up** and **Down** to select the data logger recording mode.
3. Automatic modes only: press **Next** to advance to the adjustment page for the interval (automatic recording mode), variation (automatic variation recording mode), or threshold (automatic peak recording mode).
4. Press **Enter** to save any changes.
5. Press **Exit** three times to return to the operation display or press **Next** to adjust the data logger date and time (see below).

Note: all alerts are recorded by the data logger regardless of the mode selected.

Recording Modes description:

Alarm only. Record alarms only. All the other data logger modes also record alarms.

Automatic recording. A record is added at a specified interval. When the automatic recording data logger mode is selected on menu **4F1** (see step 3 above) press **Next** to go to menu **4F11**) and then use **Up** and **Down** to adjust the record interval in minutes.



IMPORTANT! Wind speed: the data logger recording mode must be set to automatic recording to log the data required by the wind speed report feature of the Data Logger Viewer software.

Automatic variation. A record is added when load increases by more than the operator adjusted percentage. When the automatic variation data logger mode is selected on menu **4F1** (see step 3 above) press **Next** to go

to menu **4F11**) and then use **Up** and **Down** to adjust the variation threshold.

Automatic peak. In the automatic peak mode the data logger analyzes the measured weight and records the peak value only. One threshold per load cell must be adjusted. When the weight drops by more than the peak threshold the peak weight is recorded. Only one event is recorded for each pick when the threshold is adjusted correctly. When the automatic peak data logger mode is selected on menu **4F1** (see step 3 above) press **Next** to go to menu **4F11**) and then use **Up** and **Down** to adjust the peak threshold for the first load cell. Press **Next** to repeat for the second load cell etc. Up to four load cells can be programmed for automatic peak data logging.

User input. Available on request only, the status of all sensors is recorded on demand. A custom hardware modification to the GS550 display is required and a normally open push button must be installed on a digital input to the GS550 through a pre-determined wire of the power supply and lockout cable.

All data. All communications between a display and its sensors are recorded.

2.17b Date and Time

Adjust the data logger date and time as required:

1. Go to menu **4F2) ADJUST DATE**.
2. The last two digits of the year should be flashing: use **Up** and **Down** to adjust the year.
3. Press **Next** to adjust the month.
4. Use **Up** and **Down** to adjust the month.
5. Press **Next** to adjust the day.
6. Use **Up** and **Down** to adjust the day.
7. Press **Next** to adjust the time.
8. The hour should be flashing: use **Up** and **Down** to adjust the hour from 00 (midnight) to 23 (11 pm).
9. Press **Next** to adjust the minute.
10. Use **Up** and **Down** to adjust the minute.
11. Press **Next** to adjust the second.
12. Use **Up** and **Down** to adjust the second.
13. Press **Enter** to save any changes.
14. Press **Exit** three times to return to the operation display.

2.18 Sensor List

All sensors in the GS550 system are programmed in the sensor list. The GS550 uses information from all sensors in the sensor list. Conversely the GS550 will not use or display information from sensors that are not programmed to the sensor list. If a sensor is removed from the crane then it must be removed from the sensor list. If a sensor is replaced the sensor list must be updated with the new ID number.

IMPORTANT! Information displayed from load, angle and boom length sensors that are not correctly installed will not be accurate.

IMPORTANT! Rated capacity, radius, and tip height based on information from angle and boom length sensors that are not correctly installed will not be accurate.

Note: To ensure communication, sensors must be at least six feet from the GS550 display.

2.18a How to Add a Sensor to the GS550

1. Determine the radio identification number (ID) of the sensor to be added. This number between 10000 and 99999 is engraved on the sensor.
2. Go to menu page **4A1**).
3. Advance to the next empty sensor position in the sensor list. Press **Next** repeatedly until the LCD shows “**No SENSOR**” on the bottom line. Up to 32 sensors may be added to the sensor list.
4. The ID number should flash; this means it is adjustable. Use **Up** and **Down** to program the sensor ID.
5. Press **Next**.

*Note: Press **Up** and **Down** simultaneously to make the sensor id number jump directly to 20000. Press **Up** and **Down** simultaneously again to make the sensor id number jump directly to 15000. Press **Up** and **Down** simultaneously a third time to make the sensor id number jump directly to 0.*

6. The sensor type (“**No SENSOR**”) should flash; this means it is adjustable. Use **Up** and **Down** to select the sensor type.
7. Press **Enter** to save any changes made to the sensor list.
8. Press **Exit** three times to return to the operation display.

2.18b How to Remove a Sensor from the GS550

1. Determine the sensor to be removed. If more than one sensor of the same type has been added to the sensor list then determine the radio identification number (ID) of the sensor to be removed before proceeding. This number between 10000 and 99999 is engraved on the sensor.
2. Go to menu page **4A1**).
3. Press **Next** repeatedly to advance to the page of the sensor list showing the ID of the sensor to be removed.
4. The sensor ID should flash, press **Next**, the sensor type should flash; this means it is adjustable. Use **Up** and **Down** to select “**No SENSOR**”. This will remove the sensor from the sensor list but retain the sensor ID.

*Note: Press **Next** and **Back** simultaneously to remove the sensor from the sensor list. The ID number will revert to 0, and the sensor type will revert to “**No SENSOR**”.*

5. Press **Enter** to save any changes made to the sensor list.
6. Press **Exit** three times to return to the operation display.

4A1) No 1 Load cell	ID: G11023
4A1) No 1 No sensor	ID: 0

Figure: Menu 1A) - the sensor list

2.19 Network Options

2.19a Listen Only Mode

When the GS550 is started it normally wakes up the sensors in the sensor list and takes control of them. The last display powered on that is programmed for a sensor becomes that sensor's network controller. This means that if a second display is programmed for a sensor, it will take control of it; the sensor will no longer acknowledge communication from the first display. The GS550 can be programmed to operate in "listening mode". In this mode the GS550 will display information from programmed sensors without becoming the network controller.



IMPORTANT! Sensors can only have one network controller at a time. To receive communication from a sensor without taking control of that sensor a display must first be programmed in "listening mode".

Program the listen only mode

1. Go to menu **411**).
2. Use **Up** and **Down** to switch between "NETWORK CONTROLLER" and "LISTEN ONLY" modes.
3. Press **Enter** to save any change.
4. Press **Exit** three times to return to the operation display.

When a display is adjusted to listen only mode the following message flashes three times during the start-up routine: "**THE DISPLAY IS IN LISTEN ONLY MODE**".

*Note: To regain network control of programmed sensors adjust the GS550 to "NETWORK CONTROLLER" (menu **411**, see the procedure above), shut the display off, and then start it again.*

2.19b Repeater

Communication between a GS550 and a programmed sensor can be routed through a different programmed

* Repeated (source) battery life estimated for standard product, using new factory specified batteries correctly installed, operating 32 hours per week. Individual results may vary with intensity of use, environmental conditions and other factors

** Repeater battery life estimated for standard product, using new factory specified batteries correctly installed. Individual results will not vary with of intensity of use; individual results may vary with environmental conditions and other factors.

sensor (repeater). This can be done either to extend the range of the network or to assist communication around a large radio obstacle. The battery life of the sensor repeated (source) will be reduced by about a year*. The battery life of the sensor repeater will be reduced to 35 days**. This function should not be used where it is not required.

Program a sensor repeater

1. Go to menu **4121**) Select repeater.
2. Use **Up** and **Down** to program the radio ID number of the sensor that will be the repeater.
3. Press **Next** to go to menu **4122**) Select source.
4. Use **Up** and **Down** to program the radio ID number of the sensor that will be the source.
5. Press **Next** to go to menu **4123**) Enter to save The new network path
6. Press **Enter** to save the new network path. The following messages will be displayed briefly:
 "PARAMETERS SAVED CORRECTLY"
 "COMMUNICATING WITH REMOTE SENSOR..."
 "CONFIGURATION SAVED SUCCESSFULLY"
7. Press **Exit** three times to return to the operation display.

Clear a sensor repeater

1. Go to menu **413**). Menu **413** details the last repeater programmed. When no repeater has been programmed the menu **413**) displays the message "**NO REPEATER REGISTERED**"
2. To shut down the last repeater programmed press **Enter**. The following messages will be displayed briefly:
 "REMOVING NETWORK PATH..."
 "INITIALIZING NETWORK..."
3. To shut down additional repeaters, repeat step 2.
4. Press **Exit** three times to return to the operation display.



CAUTION! Test all system functions after setting up or removing a repeater. Shut off and then restart the GS550.

2.19c Wireless Sensor Update

It is possible to send a firmware update to a sensor using the GS550 (menu **414**). For more information on installing a sensor update refer to the field service guide How to Update the Firmware of a GS Series System (document part number GM550 011) provided with the firmware update kit.

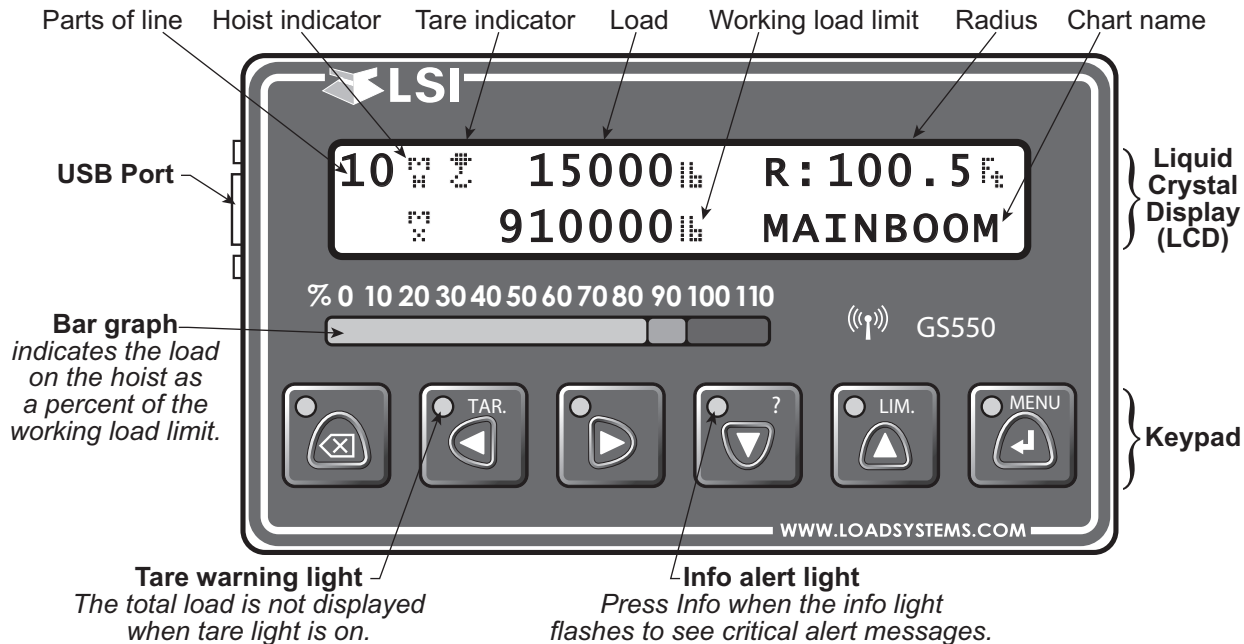
3. OPERATION

3.1 Display GS550

The GS550 displays detailed information on the backlit, two line liquid crystal display (LCD); warnings, alarms, and radio status is also communicated by the display buzzer.

3.2 USB Port

The USB port is used to download data from the data logger or to upload capacity charts using a USB mass storage device (USB key).



3.3 Keypad

The keypad consists of six buttons used to control, consult, program, and troubleshoot the GS550 display and system. Each button has two functions; a primary function for the operation display, and a secondary function for menu navigation and programming. The secondary functions are described in the **Menu Navigation** sub-section of this manual.



Bypass / Exit

Override lockout for emergency purposes*. The alarm will remain silent until the next alarm; lockout will re-engage as soon as the button is released. / Exit menu.



Tare / Back

Zero the hook and rigging weight, zero rope payout. / Move to the previous page.



Hoist / Next

Change the operating display page. The exact order and content of operation display pages depends on system sensor and capacity chart configuration. Systems with more than one load sensor typically display main hoist load information on the first page and auxiliary hoist load information on the second page. / Move to next page.



Info / Down

When the orange Info light flashes, press Info to see critical system alert messages. / Modify numeric values and move down through a list of choices.



Limit / Up

Set hoist limits and work area limits**. / Modify numeric values and move up through a list of choices.



Menu / Enter

Access the system menus, refer to *System Menu* section. / Enter menu, confirm changes to system settings.

* This applies only if the GS550 has been correctly installed to control crane lockout function.

** The *Work Area Limit* menu is only available if a slew, radius or tip height is configured in the system.

3.3a Tare

Zero the hook and rigging weight



- Press **Tare** to enter the tare menu.
- Use **Next** to select the load sensor.
- If no tare value is displayed, then press **Tare** to create a tare value equal to the weight on the load sensor. *Example:* with hook block and rigging only. Load display is net weight (gross weight minus tare value).
- To remove a tare value, press **Tare**.
- Press **Exit** to return to the operation display.

	LCD Indicator	Tare Light	LCD Load	Bar Graph
No Tare Value		Off	Gross weight	Gross weight
Tare Value		On	Net weight	Gross weight

Zero rope payout (length)

- Press **Tare** to enter the tare menu.
- Use **Next** to select the rope payout sensor.
- Press **Enter** to zero rope payout length. The new zero will be saved by the rope payout sensor.
- Press **Exit** to return to the operation display.

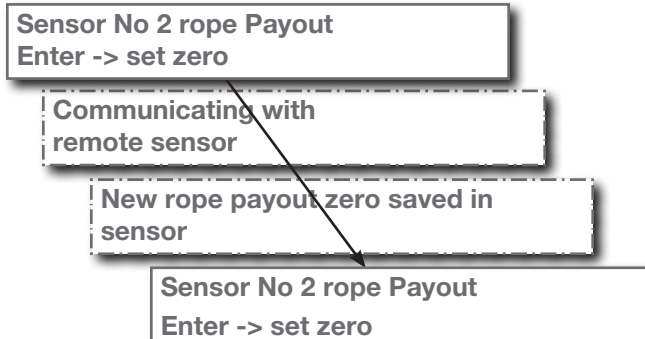


Figure: Zero rope payout

3.3b Info



When the orange Info light flashes press **Info** to see critical system alerts. Press **Next** to advance from one page to the next.

Standard info menu pages include:

- BIOS (Bootloader) number and version
- Firmware number and version
- Chart number and version (if available)
- SPKG (Software Package) number

Table: Information Menu Alerts

Alert:

Load ID: G15000
Sensor maximum limit

Description:

The sensor indicates a value greater than the operator adjusted limit.

- Verify operator adjusted limits in the limit menu.

WARNING! Do not operate the crane beyond the limits specified by the manufacturer.

Alert:

Angle ID: G15000
Sensor minimum limit

Description:

The sensor indicates a value less than the operator adjusted limit.

- Verify operator adjusted limits in the limit menu.

WARNING! Do not operate the crane beyond the limits specified by the manufacturer.

Alert:

Load ID: G15000
Sensor low battery

Description:

Less than 10% of battery life remains in the sensor.

- Schedule battery replacement for the next available opportunity. Typically several weeks of operation remain from the moment the sensor low battery warning is first triggered.

Alert:

Load ID: G15000
No communication

Description:

The display isn't receiving communication from the sensor.

- Verify that the sensor ID number programmed matches the ID number of the sensor installed on the crane. Go to menu **5A1**.

Alert:

Verify white wire
(unexpected voltage)

Description:

Voltage is detected on the lockout wire when in alarm*. With the standard relay configuration voltage should not be present on a lockout wire in alarm condition.

- Verify the wire connection. Refer to the Power Supply and Lockout Connection sub section of this manual.

* **If the lockout relay is inverted this alert will occur when voltage is detected on the wire when safe.**

Information Menu Alerts (Continued)

Alert:

**Verify white wire
(shorted to ground)**

Description:

Voltage is not detected on the lockout wire when safe**. With the standard relay configuration voltage should be present on a lockout wire in safe condition.

- Verify the wire is not shorted to ground.
- Verify the wire is not connected directly to the valve coils; a relay should be installed between the wire and the valve coils. Refer to the Power Supply and Lockout Connection sub section of this manual.

Alert:

**Main
Out of chart**

Description:

One or more primary conditions of the chart selected for the hoist is not met (example: telescopic boom length).

- Verify the conditions of the selected rated capacity chart.

Alert:

**Main angle
above chart maximum**

Description:

The boom or jib angle is above the maximum angle permitted by the selected chart. (For charts determined by radius only, this message will occur when the radius is less than the minimum radius permitted by the chart).

- Verify the boom and jib angles permitted by the rated capacity chart selected.

Alert:

**Main angle
below chart minimum**

Description:

The boom or jib angle is under the minimum angle permitted by the selected chart. (For charts determined by radius only, this message will occur when the radius is greater than the maximum radius permitted by the chart).

- Verify the boom and jib angles permitted by the rated capacity chart selected.

****If the lockout relay is inverted this alert will occur when voltage is not detected on the wire in alarm.**

3.3c Limit



Set Hoist Limits

Press **Limit** and then **Enter** to access the *Sensor Limits* menu. The *Sensor Limits* menu displays the limits for each sensor in the sensor list on successive pages.

Use **Next** to scroll from one limit to the next.

Use **Up** and **Down** to adjust a limit.

When using the GS550 as a load indicator without programmed crane specific rated capacity charts the load limit is typically set to the lesser of the rope limit, the hoist limit, and the maximum allowed capacity as determined from the capacity charts.

When using the GS550 as a rated capacity indicator with programmed crane specific rated capacity charts the load limit is typically set to the lesser of the rope limit and the hoist limit.

Note: Press Up and Down simultaneously to return a limit to the factory default setting. The factory default maximum limit for load sensors is 10 000 lb per part of line.

Note: When the weight units are tons the minimum load limit increment is 0.1 ton per part of line.

Note: The limits set in the limit menu are different than those set in the work area limits; the limits set in Limit menu will stay active even if no work area has been defined.

Note: to deactivate the permanent slew limits in the limit menu, the right and left limit should be set to 0.

Set Work Area Limits

The *Work Area Limits* menu is only available if a slew, radius or tip height is configured in the system.

Press **Limit**, **Next** and then **Enter** to access the *Work Area Limits* menu. To program fixes and dynamics limits, refer to section **3.9 Work Area Management Programming**.

3.4 Display abbreviations

Angle	A
Auxiliary hoist	A
Length	L
Luffing angle	L
Main hoist	M
Maximum	M
Maximum or minimum angle	M
Communication not established	NoRx
Radius	R
Tare (net weight)	T
Gross weight	G
Wind speed	W
Whip hoist	W

3.5 System Menu



System limits are not monitored when the display is in menu mode. DO NOT operate the crane in menu mode. DO NOT navigate system menus when operating the crane.

There are five basic menus (level one) used to program, consult and control the GS550 system; **1) PARTS OF LINES;** **2) CRANE RIGGING;** **3) DISPLAY SETTINGS;** **4) INSTALLATION;** **5) SYSTEM DIAGNOSTIC.**

The basic menus include nested sub-menus (level two, three and four) designed to address specific tasks including adjusting values, choosing from lists and following “wizards” through step by step processes.

3.5a Menu Numbers

Menus are identified by a number in the upper left corner. The basic menus (level one) are numbered one through six. Level two menus are lettered alphabetically. Level three menus are numbered. Level four menus are alphabetized.

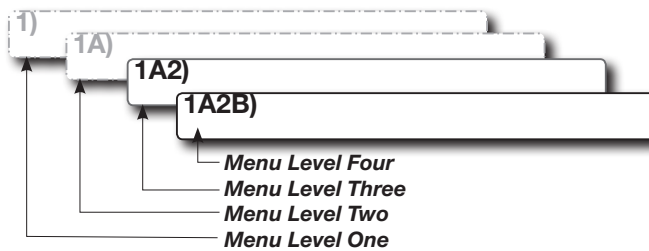


Figure: Menu Numbers

3.5b Menu Navigation

From the operation display press **Menu** to see the basic menus (level one). Press **Enter** to drill down one level and enter a selected menu. Press **Exit** to leave a menu and return up one level. Press **Next** to move to the next page within a menu; press **Back** to move to the previous page within a menu. Use **Up** and **Down** to modify numeric values and to move through a list of choices.

Note: most menus are circular; press Next on the last page of a menu to return to the first page.

Note: most lists are circular; press Down on the last entry of a list to return to the first entry.

3.5c Password Protection

The submenus of menu **4) INSTALLATION** are protected by a password by default. Password

settings can be adjusted in menu **4H) PASSWORD SETTINGS**. If the user password is forgotten, it can be changed as long as the administrator password is known.

Forgotten password? Call LSI technical support (Houston, TX) at 888 819 4355.

3.5d Menu Layout

The menus accessible to the operator without password protection under the default factory settings are listed below.

- 1) **PARTS OF LINE**
- 2) **CRANE RIGGING**
- 3) **DISPLAY SETTINGS**
 - 3A) **WEIGHT UNITS**
 - 3B) **WIND UNITS**
 - 3C) **DISPLAY LANGUAGE**
 - 3D) **LIGHT INTENSITY**
 - 3E) **LCD CONTRAST**
 - 3F) **BACKLIGHT MODE**
- 4) **INSTALLATION**
- 5) **SYSTEM DIAGNOSTIC**
 - 5A) **SYSTEM SENSORS DIAGNOSTIC**
 - 5B) **RADIO NETWORK DIAGNOSTIC**
 - 5B1) **RADIO NETWORK BACKGROUND NOISE**
 - 5B2) **LIST LAST 32 SENSORS RECEIVED**
 - 5B3) **SEARCH FOR SENSORS**
 - 5C) **LOCKOUT DIAGNOSTIC**
 - 5C1) **WHITE WIRE STATUS AND SELF-TEST**
 - 5C2) **GREEN WIRE STATUS AND SELF-TEST**
 - 5C3) **ORANGE WIRE STATUS AND SELF-TEST**
 - 5D) **DISPLAY DIAGNOSTIC**
 - 5D1) **TIME AND DATE**
 - 5D2) **TIME CLOCK BATTERY TEST**
 - 5D3) **EXTERNAL POWER SUPPLY VOLTAGE**
 - 5D4) **INTERNAL TEMPERATURE**
 - 5D5) **GS550 BASE STATION IDENTIFICATION NUMBER**
 - 5D6) **GS550 (PORTABLE) BATTERY LEVEL**
 - 5D7) **RADIO (CERTIFICATION AND FREQUENCY)**
 - 5E) **DIGITAL INPUT DIAGNOSTIC**
 - 5E4) **BLUE WIRE STATUS**

3.5e Parts of Line

The load sensor often shares the weight with multiple parts of line. For accurate load indication the GS550 must be programmed for the number of parts of line.


1. Go to menu **1) PARTS OF LINE**.
2. Use **Next** and **Back** to select the load sensor; typically sensor number one is associated with sheave one (the main hoist) and sensor number two is associated with sheave two (the auxiliary hoist) etc.
3. Use **Up** and **Down** to adjust the number of parts of line.
4. Press **Enter** to save any changes and then press **Exit** twice to return to the operation display.

3.6 Rated Capacity Indicators

The GS550 can be programmed to assist the operator by indicating the working load limit (WLL) from the crane specific rated capacity charts according to the angle and radius information received from the boom mounted sensors.

3.6a Display Programming

In order to indicate WLL the GS550 must be programmed with a valid rated capacity chart specific to the crane. The capacity chart programmed can be verified on the chart number page of the Information menu: press **Info** and **Next** twice (press **Exit** to return to the operation display).


 **IMPORTANT!** If the chart number information screen says “**CHART NOT LOADED**” the GS550 has not been programmed to function as a rated capacity indicator. If rated capacity indication is required contact the person responsible for the GS550 system installation and maintenance. If in doubt, contact **LSI**.

3.6b Crane Rigging

Under no circumstances is the GS550 a substitute for safe operating practices. The operator must fully understand the crane rigging and the crane rated capacity chart to be able to correctly set the GS550 for rated capacity indication. The GS550 will not take into account critical variables such as weather, ground and crane conditions that will reduce the safe working capacity of the crane.

3.6c Chart Wizard

Rated capacity indication is based on interpretation of a selected capacity chart using boom angle and load radius. The chart must be selected by “rigging” the working hoist in the GS550; this is done by following the chart wizard in menu **2) CRANE RIGGING**.

 **IMPORTANT!** It is possible to leave the chart wizard at any time by pressing **BYPASS**; the GS550 will display the message “**RIGGING ABORTED**”. Current capacity chart selection may have changed, possibly changing the rated capacity indicated by the GS550. **Always complete the chart wizard all the way to the “Rigging ok” message before operating the crane.**

1. Go to menu **2) CRANE RIGGING** and press **Enter** to start the chart wizard.
2. The first page of the chart wizard is generally “select hoist”. Use **Up** and **Down** to select the hoist. If there is only one load sensor in the system select “**MAIN**”. With two or more load sensors in the system the main hoist is associated with the first load sensor in the sensor list; the auxiliary hoist is associated with the second sensor in the sensor list etc.
3. Press **Next** to advance to the next step of the chart wizard.
4. The steps that follow will depend on the size and complexity of the rated capacity chart itself. Typical steps include chart selection, outrigger / on rubber selection and boom length selection (lattice cranes only). Use **Up** and **Down** to select from the list of choices and then press **Next** to advance to the next step. For accurate rated capacity indication the rigging configuration selected in the chart wizard must reflect the actual rigging of the working sheave.
5. After the last step has been completed, the GS550 displays “**RIGGING OK**” and then returns to menu **2)**. Press **Exit** to return to the operation display or press **Enter** to rig another hoist. If a sensor required by the selected capacity chart is not a part of the system or has not established communication with the GS550, then the GS550 will display “**SENSOR INVALID**”.

3.7 Display Settings

Program the display for operator preferences in menu **3) DISPLAY SETTINGS**.

3.7a Weight Units

The weight units for load display may be selected according to operator preference. Length units are associated with weight units by default; see the table below.

1. Go to **MENU 3A) WEIGHT UNITS**.
2. Use **Up** and **Down** to select the weight units for load display.
3. Press **Menu** to save changes, then press **Next** to advance to the language adjustment page or press **Exit** twice to return to the operation display.

Table: Weight Units

Unit	Equivalent	Weight	Length Unit
Notes			
Pound (lb)	1 lb	0.4536 kg	Foot (ft.)
Kilogram (kg)	2.205 lb	1 kg	Metre (m)
Short ton (T) <i>United States</i>	2000 lb	907.2 kg	Foot (ft.)
Long ton (T) <i>United Kingdom</i>	2240 lb	1016 kg	Foot (ft.)
Tonne (t) <i>International System (SI)</i>	2205 lb	1000 kg	Metre (m)

3.7b Wind Units

The wind units for wind display may be selected according to operator preference.

1. Go to Menu **3B) WIND UNITS**.
2. Use **Up** and **Down** to select the wind units for wind display.
3. Press **Menu** to save changes, then **Next** to advance to the language adjustment page or press **Exit** twice to return to the operation display.

3.7c Language

Future versions of the GS550 will include different display language options.

1. Go to menu **3C) DISPLAY LANGUAGE**.
2. Press **Up** and **Down** to change the display language.

3.7d Light Intensity

Adjust the intensity off the LEDs (light emitting diodes) to facilitate viewing in bright sunlight or in reduced visibility.

1. Go to menu **3D) LIGHT INTENSITY ADJUSTMENT**.
2. Use **Up** and **Down** to adjust the intensity of the lights.
3. Press **Menu** to save changes, then press **Next** to advance to the contrast adjustment page or press **Exit** twice to return to the operation display.

3.7e Contrast

Adjust the LCD contrast to optimize visibility.

1. Go to menu **3E) LCD CONTRAST ADJUSTMENT**.
2. Use **Up** and **Down** to adjust the display contrast.
3. Press **Next** to advance to the backlight adjustment page or press **Exit** twice to return to the operation display.

3.7f Backlight Mode

Adjust the LCD backlight control mode to conform to viewing and power supply conditions.

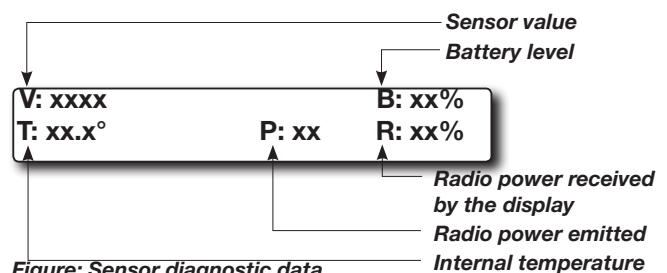
1. Go to menu **3F) BACKLIGHT MODE**.
2. Use **Up** and **Down** to select the backlight control mode. The LCD backlight can be always on, always off or on a four second timer. In the four second timer mode the backlight will come on for four seconds when any button is pressed.
3. Press **Menu** to save changes, then press **Next** to advance to the backlight adjustment page or press **Exit** twice to return to the operation display.

3.8 System Diagnostic

Diagnose system issues with the sub menus of menu **5) SYSTEM DIAGNOSTIC**.

3.8a System Sensors Diagnostic

1. Go to menu **5A1)**.
2. Use **Back** and **Next** to select the sensor.
3. Press **Enter** to see sensor data.



- Press **Enter** to get the sensor firmware product and version numbers.

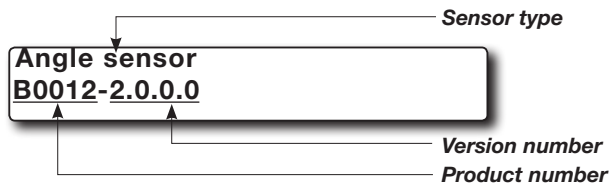


Figure: Sensor firmware product and version numbers

- Press **Exit** five times to return to the operation display.

3.8b Radio Network Diagnostic

- Go to menu **5B1) RADIO NETWORK BACKGROUND NOISE**.

CAUTION! The “list of last 32 sensors received” includes all functioning GS series sensors within range. Programming a GS550 display for sensors from a different system will disable that system and render indication by both systems inaccurate.

- Press **Next** to go to menu **5B2) LIST LAST 32 SENSORS RECEIVED**.
 - Press **Enter** to access **5B21), THE LIST OF THE LAST 32 SENSORS RECEIVED**. Sensors are shown with their radio ID number and the sensor type.
 - Use **Up** and **Down** to scroll through the list.
 - Press **Exit** to return to menu **5B2)**.
- Press **Next** to go to menu **5B3) SEARCH FOR SENSORS**.
 - Press **Enter** to launch a sensor search. After searching, the display automatically reverts to **5B21)**, the list of the last 32 sensors received (see step 2.a).
- Press **Next** to go to menu **5B4) BIT ERROR RATE COMMUNICATION TEST**. This test should only be conducted by **LSI** technical service personnel.
- Press **Exit** three times to return to the operation display.

3.8c Lockout Diagnostic

Menu **5C) LOCKOUT DIAGNOSTIC** shows the lockout condition of the output (*alarm* or *safe*) and the self-test (*pass* or *fail*); it is recommended to manually test the lockout condition;

- Go to menu **5C1) WHITE WIRE**. To temporarily activate or deactivate the lockout relay press **Up** or **Down**.



Figure: Menu 5C1) White Wire lockout condition example

- Press **Next** to go to menu **5C2) GREEN WIRE DIAGNOSTIC**. Repeat lockout diagnostic test.
- Press **Next** to go to menu **5C3) ORANGE WIRE DIAGNOSTIC**. Repeat lockout diagnostic test.
- Press **Exit** three times to return to the operation display.

3.8d Display Diagnostic

- Go to menu **5D1) TIME AND DATE**. The page shows the current time and date according to the GS550 internal clock.
- Press **Next** to go to menu **5D2) TIME CLOCK BATTERY**. Self-test pass or fail.
- Press **Next** to go to menu **5D3) EXTERNAL POWER VOLTAGE**.
- Press **Next** to go to menu **5D4) DISPLAY INTERNAL TEMPERATURE**.
- Press **Next** to go to menu **5D5) GS550 BASE STATION ID**. The base station ID should be the same as the GS550 display serial number printed on the left side of the box
- GS550-03 portable displays only:** press **Next** to go to menu **5D6) BATTERY LEVEL**. The battery level of the onboard rechargeable battery pack is indicated.
- Press **Next** to go to menu **5D7) RADIO**. “FCC”, “IC” indicates *Federal Communications Commission* (U.S.A.) and *Industry Canada* certification, “CE” indicates *European Community* certification. The frequency used by the system network is indicated on the second line.
- Press **Exit** three times to return to the operation display.

3.8e Digital Input Diagnostic

- Go to menu **5E4) BLUE WIRE**. The page shows the blue wire digital input status.
- Press **Exit** three times to return to the operation display.

3.9 Work Area Management



IMPORTANT! Follow the left and right orientation indicated by the display to set limits correctly.

3.9a Set Fixed Limits

Record crane position at the limit to set a fixed slew, radius or tip height limit.

1. **Left and right slew limits:** Approaching or exceeding a slew limit will trigger a warning or alarm state.
 - a. Press **Limit**, select *Work Area Limits* and then **A) DEFINE WORK AREA: SLEW**.
 - b. Menu **A1)** Move the crane to the left limit and press **Enter**.
 - c. Menu **A2)** Move the crane to the right limit and press **Enter**.
 - d. Menu **A3)** Move the crane to the safe area within the left and right slew limits, and then press **Enter**.
 - e. To adjust the slew warning zone, go to menu **4J1)**; use **Up** and **Down** to change and press **Enter** to confirm.

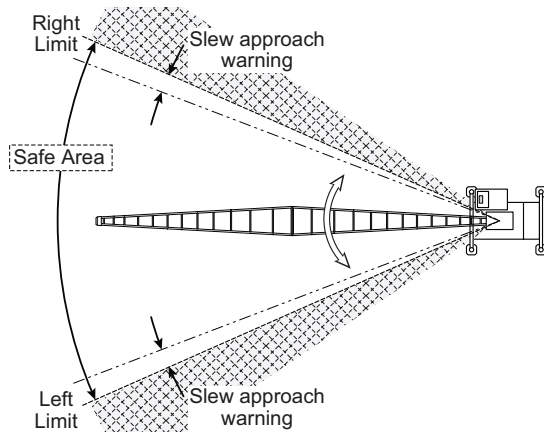


Figure: Slew limits

Maximum tip height: Approaching or exceeding the maximum tip height will trigger a warning or alarm state.

- a. Press **Limit**, select *Work Area Limits* and then **B) DEFINE WORK AREA: MAX TIP HEIGHT**.
- b. Menu **B1)** Move the crane to the maximum tip height and press **Enter**.
- c. Menu **B2)** Move the crane into the safe area below the maximum tip height, and then press **Enter**.
- d. To adjust the tip height warning zone, go to menu **4J2)**; use **Up** and **Down** to change and press **Enter** to confirm.

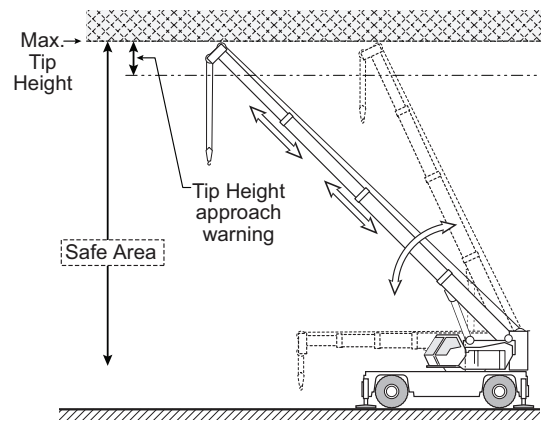


Figure: Maximum tip height

Maximum radius: Approaching or exceeding the maximum radius will trigger a warning or alarm state.

- a. Press **Limit**, select *Work Area Limits* and then **C) DEFINE WORK AREA: MAX RADIUS**.
- b. Menu **C1)** Move the crane to the maximum radius and press **Enter**.
- c. Menu **C2)** Move the crane into the safe area within the maximum radius, and then press **Enter**.
- d. To adjust the radius warning zone, go to menu **4J3)**; use **Up** and **Down** to change and press **Enter** to confirm.

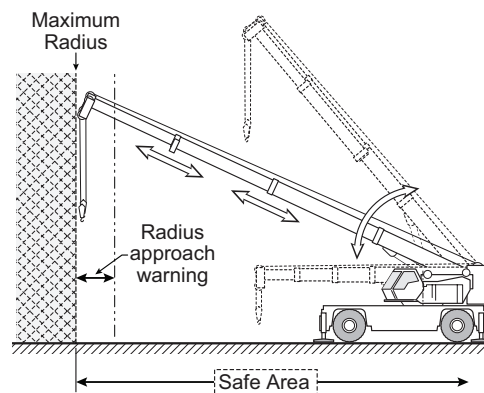


Figure: Maximum radius

3.9b Set Dynamic Limits

1. Slew and maximum tip height: Record the left and right slew limits and the maximum tip height at every degree of crane rotation in between the slew limits. Approaching or exceeding a slew or tip height limit will trigger a warning or alarm state.
 - a. Press **Limit**, select *Work Area Limits* and then **D) DEFINE WORK AREA: SLEW AND HEIGHT**.
 - b. Menu **D1)** Move the crane to the left slew limit at the maximum tip height for that slew position, and then press **Enter**.

- c. Menu **D2)** Slew the boom to the right slew limit while maintaining the maximum tip height to trace the maximum tip height boundary at all slew positions. When the crane is at the right slew limit and at the maximum tip height for that slew position, press **Enter**.
 - d. Menu **D3)** Move the crane into the safe area within the slew limits and below the maximum tip height, and then press **Enter**.
 - e. To adjust the warning zone, go to menu **4J) WORK AREA**.
2. **Slew and maximum radius:** Record the left and right slew limits and the maximum radius at every degree of crane rotation in between the slew limits. Approaching or exceeding a slew or radius limit will trigger a warning or alarm state.
- a. Press **Limit**, select *Work Area Limits* and then **E) DEFINE WORK AREA: SLEW AND RADIUS**.
 - b. Menu **E1)** Move the crane to the left slew limit at the maximum tip height for that slew position, and then press **Enter**.
 - c. Menu **E2)** Slew the boom to the right slew limit while maintaining the maximum radius to trace the maximum radius boundary at all slew positions. When the crane is at the right slew limit and at the maximum radius for that slew position, press **Enter**.
 - d. Menu **E3)** Move the crane into the safe area within the slew limits and the maximum radius, and then press **Enter**.
 - e. To adjust the warning zone, go to menu **4J) WORK AREA**.
3. **Slew, maximum tip height and maximum radius:** Record the left and right slew limits and both the maximum tip height and the maximum radius at every degree of crane rotation in between the slew limits. Approaching or exceeding a slew, tip height, or radius limit will trigger a warning or alarm state.
- a. Press **Limit**, select *Work Area Limits* and then **F) DEFINE WORK AREA: SLEW, HEIGHT, RADIUS**.
 - b. Menu **F1)** Move the crane to the left slew limit at the maximum tip height and radius for that slew position, and then press **Enter**.
 - c. Menu **F2)** Slew the boom to the right slew limit while maintaining the maximum tip height and radius to trace the maximum tip height and radius boundary at all slew positions. When the crane is at the right slew limit and at both the maximum tip height and maximum radius for that slew position, press **Enter**.
 - d. Menu **F3)** Move the crane into the safe area within the slew, tip height and radius limits, and then press **Enter**.
 - e. To adjust the warning zone, go to menu **4J) WORK AREA**.

3.9c Clear all work area limits

Press **Limit** and select *Work Area Limits*. Press **Enter**. Select **G) ERASE WORK AREA LIMIT** menu and press **Enter**.

3.9d Warning, alarm and lockout

1. **Warning:** An intermittent beep, the **Limit** and **Info** lights, and a limit warning message all warn the operator of an approaching work area limit when the crane enters a warning zone. Work area limit warnings can also be used to trigger orange wire lockout. The size of the warning zones, and the orange wire lockout function, can be adjusted in menu **4J)**.
2. **Alarm:** The buzzer, the **Limit** and **Info** lights, a limit alarm message, and lockout all alert the operator when a work area limit is exceeded.
3. **Lockout:** The white and green wire lockout triggers can be adjusted to include work area limits in menu **4G)**.

3.9e Slew and work area display

When a slew sensor is installed current slew angle and left and right slew limits are displayed.

Slew angle:	115.5°
100.2° <-->	200.7°

When defined, work area is displayed.

- The first line: left and right slew limits.
- The second line: tip height and radius limits (if defined).
- When a dynamic work area has been defined the tip height and radius limits for the current slew position are displayed.

4. USB TOOL

Download data or upload capacity charts using a USB mass storage device (USB key) without removing the display from the crane.



CAUTION! Before transferring (or downloading) data logger or firmware updates, make sure the crane is stopped and is in a safe state. The crane cannot be monitored during the download process.



Figure: Transfer charts or data logger files

4.1 Data logger transfer from Display

4.1a Transfer from display to USB device



IMPORTANT! To copy the data logger to the USB key, a password is required; contact **LSI** to get the download password. The Display ID will be asked by **LSI**.

1. Make sure there is at least 4 MB of available space on the USB key. Connect the USB key in the USB port, on the left side of the display.

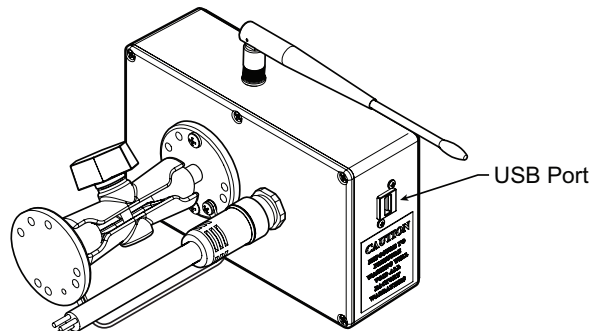


Figure: USB port location

2. After a short delay (about 2 seconds), “**COPY DATALOG. TO USB**” will appear on the LCD; press **Enter**.
3. In most case, you will be prompted to enter a password; enter the download password given by **LSI** and press **Enter**.

4. Press **Enter** once again to confirm the data logger download “**DATA LOGGER - ENTER TO TRANSFER**”.
5. Transfer progress is indicated on screen.
6. When the transfer is done, “**TRANSFER SUCCESSFUL**” will appear for 2 seconds. Unplug the USB device. The GS550 will restart by itself.
7. The crane is now ready for operation.

4.1b Transfer from USB device to PC

1. Connect the USB device to a computer.
2. The data logger file is located in the root directory of the USB device:

“**LSI_MM_dd_yyyy_hh_mm_ss.dtl**” where the double letters represent the time and date of the USB transfer. The size of the file should be 4096 kb.

4.1c Troubleshooting

Problem:

The file does not appear on the USB key.

Solution 1: Did the transfer complete successfully? Try again.

Solution 2: Look in the root directory of the USB key? The root directory is the folder that appears when you open the USB key.

Problem:

The file appears on the key but its size is 0 kb.

Solution: Did the transfer complete successfully? Try again.

Problem:

The following message appears on screen during the transfer: “**UNABLE TO CREATE FILE. REPLACE USB**”

Solution 1: The USB device may not work correctly. Replace the USB device.

Solution 2: The USB device may be in read only mode. Allow read/write permissions.

Problem:

An error message appears on screen during the transfer: “**ERROR ##**”, where ## is the error number.

Solution: restart the GS550 and try again to transfer the file. If the trouble persists, contact **LSI**.

Problem:

Nothing happens when the USB key is inserted into the USB port of the display.

Solution: Insert the USB key in the USB port, power down and then power up the display.

4.2 Upload Capacity Charts



IMPORTANT! Contact LSI to get the upload password; this password changes according to the random number indicated on the LCD. Please provide the random number to LSI.

1. Connect the USB key to a computer and copy the updated chart on the USB key.
2. Connect the USB key in the USB port.
3. After a short delay (about 2 seconds), “**COPY DATALOG. TO USB**” appears on the LCD; press **Next**.
4. “**GET FILE FROM USB**”; Press **Enter**.
5. Choose the file to upload and press **Enter**. Example typical file name: “**SPKG3_XXXX.pdb**”
6. A password could be asked; enter the upload password given by **LSI** and press **Enter**.
7. Transfer progress is indicated on screen.
8. When the transfer is done, “**TRANSFER SUCCESSFUL**” will appear. Unplug the USB device. The GS550 will restart by itself.

4.3 Data Logger Viewer

The data logger viewer is a software application used to display the data logger log file on a personal computer (PC).

The data logger viewer converts the log file to a text (binary) file, and then displays the contents. Two reports can be produced and transferred to Excel, the full report and the wind speed report.

Event	Date	Time	System Units	Battery Voltage
Crane Startup	06/12/29	08:52:44	US Lbs	17.70 V
Automatic Recording	06/12/29	08:53:46	US Lbs	17.50 V
Wind Gust Limit In	06/12/29	08:53:59	US Lbs	17.50 V
Automatic Recording	06/12/29	08:54:48	US Lbs	17.40 V

Figure: Excerpt of a full report in Data Logger Viewer

4.3a Installation on a PC

Install the CD in a CD-ROM drive. The interactive installation process should start automatically within 30 seconds; if not then:

1. Click Start.
2. Click My Computer.
3. Double-click on the CD-ROM drive.

4. Double-click on **setup.exe**.
5. Complete the installation as instructed on screen.

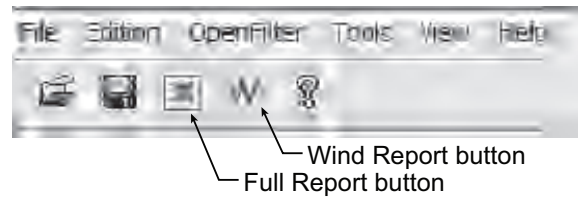


Figure: Data Logger Viewer tool bar

4.3b Quick Start

1. Start the data logger viewer application.
2. Open the log file (see section 4.1b). Only **.dtl** files generated by the GS550 data logger can be displayed.

4.3c Full Report

To export the full report to Excel, click on the Full Report button in the tool bar.

Table: Full report column headings

Column	Description
Event.....	Record trigger*
Date	Event date stamp.
Time.....	Event time stamp.
System Units	Length units (metric or US) and weight units at the time of the event.
Battery Voltage...	Display power supply voltage at the time of the event.
Temperature	Internal temperature of the display.
Firm. Version	Display firmware version at the time of the event.
Sensor # 1	Sensor type: the sensor number corresponds to the sensor list programmed in the GS550.
Sensor Status.....	Sensor was active or inactive at the time of the event.
Sensor Battery ...	Sensor battery level.
Value	Sensor value.

* Examples: Crane start-up, sensor alarm. The beginning and end of sensor alarms are indicated as “in” and “out”: examples: “overload in”, “overload out”.

4.3d Wind Report



IMPORTANT! The wind report is only available when the data has been recorded with the data logger in the automatic recording mode.

To create a wind report in Excel, click on the Wind Report button in the tool bar.

	A	B	C	D	E	F
1	Date	Time	Sensor ID	Wind (mph)	Nb.Gust	Max.Gust (mph)
2	2006-12-28	17:17:41	10033	0	0	0
3	2006-12-28	17:18:42	10033	0	0	0
4	2006-12-28	17:19:43	10033	0	0	0
5	2006-12-28	17:20:44	10033	5	0	8
6	2006-12-28	17:21:45	10033	6	0	10
7	2006-12-28	17:22:46	10033	8	0	14
8	2006-12-28	17:23:47	10033	12	0	16
9	2006-12-28	17:24:49	10033	22	1	30
10	2006-12-28	17:25:50	10033	13	0	15
11	2006-12-28	17:26:51	10033	9	0	12
12	2006-12-28	17:27:52	10033	9	0	16
13	2006-12-28	17:29:03	10033	8	0	18
14	2006-12-28	17:29:54	10033	8	0	12
15	2006-12-28	17:30:55	10033	7	0	10
16	2006-12-28	17:31:56	10033	7	0	11

Figure: Excerpt of a Wind Report

Table: Wind report column headings

Column	Description
Date	Date of event recorded
Time	Time of event recorded
Sensor ID	Wind speed sensor ID number
Wind (mph)	Average wind speed during the period
Nb. Gust	Number of gusts exceeding the wind speed maximum limit during the period.
Max. Gust (mph) ..	Maximum wind speed (gust) during the period.

Wind charts. The data from the Wind or Max Gust columns can be easily charted.

1. Press Control and select the time column and either the Wind or the Max Gust column.
2. Click Insert → Chart
3. Select X-Y (Scatter)

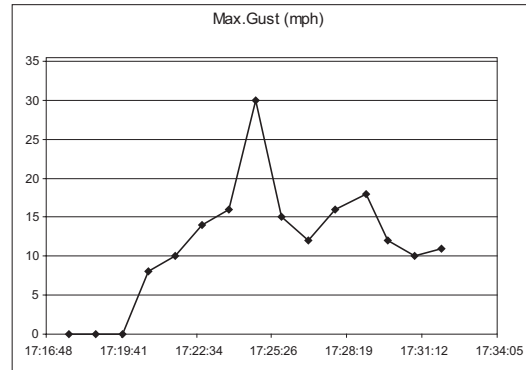


Figure: Max. Gust Chart

5. MAINTENANCE

5.1 Sensors

5.1a Replacing Sensor Battery

IMPORTANT! Protect the interior of the sensor from dirt and humidity at all times.

IMPORTANT! Both lithium or alkaline batteries can be used, however lithium battery will last about 2.5 times longer.

WARNING! CSA Class I Div I or ATEX sensors must use the specified lithium batteries only.

1. Unscrew the two allen screws about a quarter of an inch.
2. Insert a flat bladed screwdriver in the battery cover notch to pry the box away from the mounting plate. The silicone seal may cause some resistance.

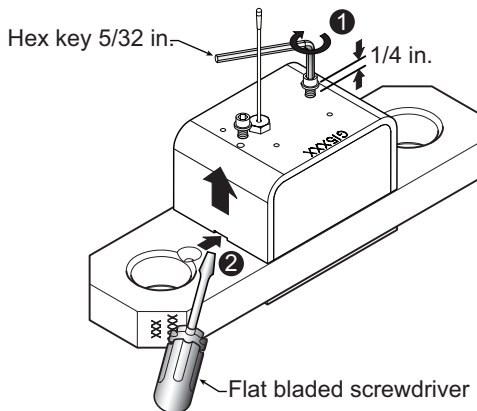


Figure: Remove the sensor box from the mounting plate

3. The data wires of a load cell may be disconnected to facilitate battery replacement.

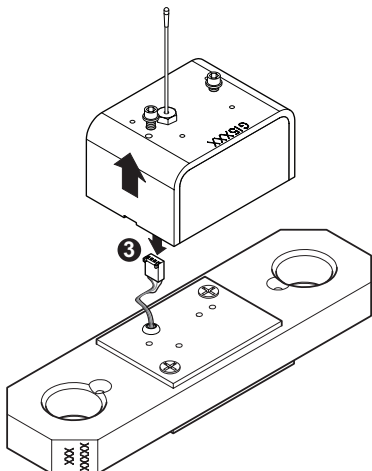


Figure: Disconnect the data wires

4. Remove the battery by hand.
5. Remove the remaining silicone from both the box and the mounting plate.
6. Install the new battery: insert the positive end and then push in the direction of the positive pole.
7. Reconnect the data wires if disconnected.

Note: A 3.6 volt lithium "D" cell battery will provide about two years of battery life for a load cell, while an alkaline "D" cell battery will provide less than one year of battery life.*

New high quality "D" cell battery: 3.6 V lithium, or alkaline

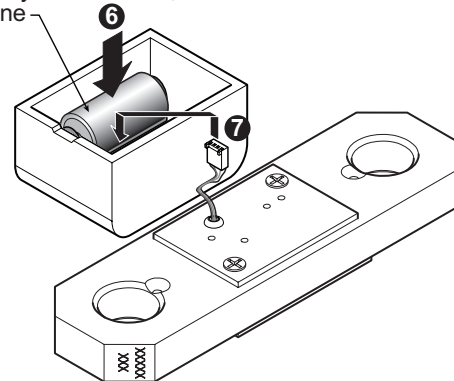


Figure: Install the new battery and reconnect the data wires

8. Apply a non-corrosive RTV silicone all around the edge of the mounting plate to create a new seal without bubbles or breaks.

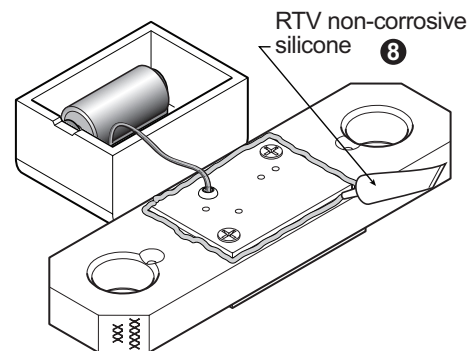


Figure: Apply non-corrosive RTV silicone

9. Reposition the box over the mounting plate and screw in the hex screws. **Do not overtighten.**

* Actual battery life will vary greatly depending on the application, the frequency of use, the age and quality of the battery etc.

5.2 Anti-Two-Block switch

IMPORTANT! Replace all the batteries of the anti-two-block switch at the same time. Unchanged batteries will reverse polarity severely reducing battery life.

IMPORTANT! Protect the interior of the anti-two-block switch from dirt and humidity at all times.

IMPORTANT! Both lithium or alkaline batteries can be used, however lithium battery will last about 2.5 times longer.

5.2a Replacing the GS050 Batteries

IMPORTANT! Class I Div I GS050 sensors certified by CSA or ATEX should use alkaline batteries only.

IMPORTANT! Do not unscrew the white nylon hex bolt of the antenna.

IMPORTANT! Do not unscrew the small screw to the left of the antenna.

This procedure does not apply to the GS005 mechanical anti-two-block transmitter; please refer to the **Replacing Sensor Battery** section.

1. Remove the anti-two-block from the crane and clean off dust and grime.
2. Place the anti-two-block on the edge of flat surface. Use an adjustable wrench to unscrew the large white nylon hex bolt of the wire rope about one half-inch.
3. Carefully remove the plunger assembly without separating it from the cover, and place it on a clean and dry surface.

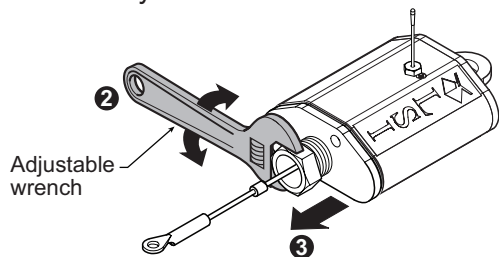


Figure: Remove the plunger assembly of the GS050

4. Slide out the four old batteries.
5. Insert the four new batteries following the positive - negative schematic printed on the back of the sensor.

6. Replace the plunger assembly. Correctly align the bottom cover before screwing in the white nylon hex bolt of the wire rope. Tighten well.
7. Pull and release the wire rope, the light emitting diode (LED) on the bottom of the sensor should flash red.

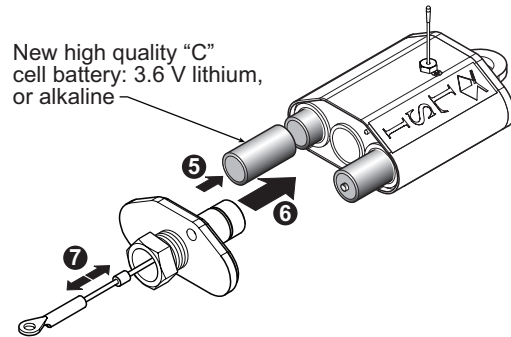


Figure: Install the new batteries and the plunger

8. Reinstall the anti-two-block switch.
9. Test the anti-two-block system for alarm and lockout before operating the machine.

5.2b Replacing the GS075-B Battery

WARNING! CSA Class I Div I or ATEX sensors must use the specified lithium batteries only.

1. Remove the GS075-B anti-two-block from the crane and clean off dust and grime.
2. Unscrew the two screws of the battery cover and remove the battery cover.
3. Remove the battery by hand.
4. Insert the new battery following the positive - negative schematic.
5. Reposition the battery cover and screw in both screws.

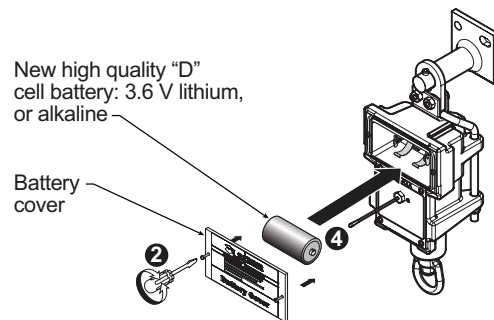


Figure: Replacing GS075-B battery

6. Reinstall the anti-two-block switch.
7. Test the anti-two-block system for alarm and lockout before use.

5.3 Replacing a Sensor Antenna

Heavily damaged antennas (ripped out, sheared off, wire exposed and fraying etc.) should be replaced to ensure effective communication between the sensor and the cabin mounted display unit.

This procedure may be followed without removing the sensor from the crane if it is safe to do so. If removed, an angle sensor must be re-calibrated during reinstallation for correct angle display (see the angle sensor installation section of the user's manual).

IMPORTANT! The interior of the sensor must be protected from dust, grime and water at all times.

1. Place the crane, boom, jib or ball hook such that the sensor is safely accessible.
2. Clean dust, grime and water from the sensor.
3. Identify the short black whip antenna and the white hex bolt securing it.
4. Inspect the antenna for signs of obvious physical damage.
5. Carefully unscrew the white nylon hex bolt completely and slide it up the antenna.

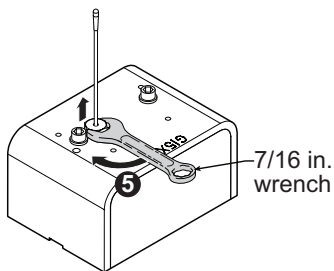


Figure: Unscrew the white nylon hex

6. Grip the antenna by the base of the black plastic sheathing and pull it straight out of the hole in which it is seated. Place the old antenna aside.

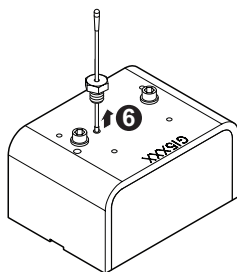


Figure: Pull out the antenna

7. Slide the white nylon hex bolt to the middle of the length of the new antenna.

8. Coat the exposed metal foot of the new antenna with an electrical insulating compound by carefully inserting it in the mouth of the compound tube.

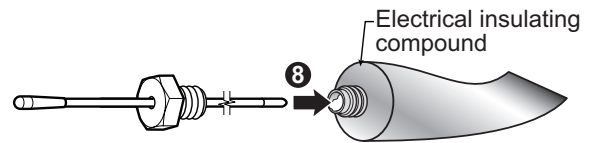


Figure: Coat the exposed metal foot of the antenna

9. Hold the new antenna by the black plastic sheathing and guide it through the hole in the sensor box. Carefully seat the antenna in its mating connector. When the antenna is correctly seated, pulling on it will be met with light resistance.

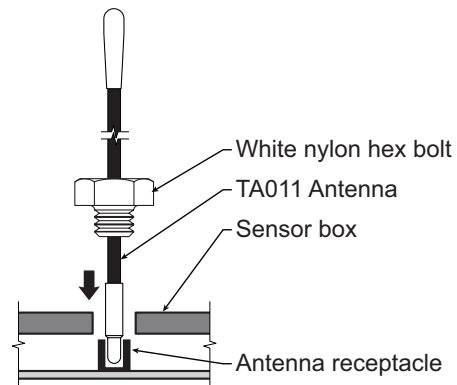


Figure: Install the new antenna

10. Carefully re-thread, screw-in and tighten the white nylon hex bolt to secure the antenna in place. **Do not overtighten.**
11. Reinstall the sensor if necessary (if removed from the boom or jib, an angle sensor will require re-calibration during the installation procedure, see the angle sensor installation section of the user's manual).
12. Verify that the sensor functions properly.

5.4 Load Cells



WARNING! Heavy shock may affect load indication accuracy. Inspect the load cell regularly for clearly visible dents or scratches. Test the load indication if collision damage is visible.

5.4a Reading Accuracy

LSI flat bar load links are pre-calibrated at the factory. No “zeroing” or other calibration is required on installation. Each link is heat treated to age the steel and ensure stable readings for many years; the load cells are individually temperature compensated to guarantee accuracy. **LSI** flat bar load links are calibrated to indicate between 100% and 104% of their Safe Working Load (SWL).

LSI load pins, line riding tensiometers and compression cells must be calibrated at installation and every time thereafter the installation, the load sensor or the transmitter is changed.

SAE J 159 4.2.1 recommends load indicating devices should show not less than 100% of the actual load and not more than 110% of the actual load.

5.4b Load Testing

LSI recommends testing the load cell every year for accuracy. The simplest way of testing a load cell is to lift at least two known weights. A test weight should be known with an accuracy of $\pm 1\%$. If the load cell is installed at the boom tip dead end, all additional equipment such as blocks, slings, sensors, etc. should also be known to an accuracy of $\pm 1\%$.

Determine the accuracy of the tested system with the following formula:

$$\frac{\text{Indicated Load}}{\text{Actual Load}} \times 100 = \% \text{ of Load}$$

(Reference: SAE-J-159 7.3)

The test loads must be significantly relative to the load cell capacity. The minimum test weight is about 20% of the safe working load; a good test weight is greater than 50% of the SWL. For example, a 30 000 lb load cell on four parts of line has a SWL of 120 000 lb; the minimum test load in this case would be 24 000 lb, a good test load would be 60 000 lb or more.

5.4c Care

Battery. Lithium batteries older than 18 months old (alkaline batteries over 6 months old) should be changed at the first available planned inspection even if there is not yet a low battery warning. This will avoid costly delays in the field.

Corrosion. Verify that no corrosion is visible on the battery holder inside the load cell transmitter. If some trace of corrosion is visible, rub it off gently and put a small amount of dielectric grease* on each battery holder post to protect the contacts.

Mechanical stresses. Verify the load cell sides for dents or heavy scratches. The side of the load cell under the transmitter box is the most sensitive region. Engraving a number in this area will affect load cell accuracy and reliability. If the transmitter box has been hit and the box does not fit perfectly to the underlying link, please call **LSI** to have it repaired. Engraving on the transmitter box sides will not affect reading.

Seal. If the transmitter box has been removed it must be correctly resealed with RTV non-corrosive silicone.

Antenna. Small scratches on the antenna will not affect radio communications. A heavy bending of the antenna or bare sections on the wire may reduce the radio efficiency.

Hex bolts. The hex head bolts on the transmitter box are there to protect the antenna and to hold the transmitter box on the load cell link. If one or both hex nuts are scratched, it will not affect the load cell readings or operation. If the bolt head is bent or sheared verify that the transmitter box fits tightly to the load cell link before contacting **LSI** for replacement bolts.

* Dow Corning dielectric grease No. 4

6. TROUBLESHOOTING

Display Not On

1. Verify the connection between the yellow cable wires and the crane power supply
2. Verify the crane battery, the fuse and the accessory switch.
3. Carefully disconnect the yellow cable from the display unit and reconnect it.

Display In Alarm

1. Identify the sensor in alarm. Place the sensor in safe condition (press **Bypass** if necessary).
2. Verify that the limits, the parts of line and the tare are correctly adjusted.
3. Verify all sensor batteries: see *Battery Diagnostic* troubleshooting section.
4. Verify the red light on the sensor box flashes (release the wire rope of an anti-two-block, change the load on a load sensor, change the angle of an angle sensor, change the boom length of a length sensor).
5. Verify radio communication: see *Radio communication* troubleshooting section.

Sensor Malfunction

1. Verify the sensor batteries: see *Battery Diagnostic* troubleshooting section.
2. Verify the red light on the sensor box flashes (release the wire rope of an anti-two-block, change the load on a load sensor, change the angle of an angle sensor, change the boom length of a length sensor).
3. Verify radio communication: see *Radio communication* troubleshooting section.

Battery Diagnostic

Go to menu **5A) SYSTEM SENSORS DIAGNOSTIC** and press **Enter**. Select a sensor and press **Enter** to verify the sensor status. Press **Exit** and then **Next** to advance to the next sensor.

- **"B: 50%":** 50% of battery life remains (typically several months).
- **"IN TIMEOUT":** communication not yet established. Verify the radio ID corresponds to the installed sensor.

- Battery status is usually known within 2 minutes. When 10% or less battery life remains, for any sensor, a message will be generated (the Info alert light will flash). Follow the *battery diagnostic* procedure to identify the sensor. Batteries do not need to be replaced before the **LOW BATTERY** message is generated. Usually several days, or weeks, of operation remain from the moment the **LOW BATTERY** message comes. A new high quality alkaline or lithium 'D' cell battery may be used.

Radio communication

1. Verify that the antennas have a direct clear line of sight to each other.
 2. Verify that the antennas do not point directly towards, or directly away from, each other.
 3. Verify that the antennas are not in contact with metal other than the sensor itself.
 4. Verify the antenna for damage.
 5. Go to menu **5A) SYSTEM SENSORS DIAGNOSTIC** and press **Enter**. Select a sensor and press **Enter** to verify the sensor status. Press **Exit** and then **Next** to advance to the next sensor.
- **"R: 85%"** means radio reception is at 85%.

Lockout Malfunction

1. Verify the connections of the lockout wire(s) (white, green, orange, blue).
2. Verify lockout coil connections.
3. Verify correct relay installation. Lockout systems must not draw more than 0.5A on each lockout wire.
4. Carefully disconnect the yellow cable from the display unit and reconnect it.

7. CERTIFICATION NOTES

7.1 Model Numbers

The model numbers for product certified by the *Federal Communications Commission (FCC - United States of America)*, *Industry Canada (IC)*, and the *European Community (CE)* can be found in the table below.

Table: Model numbers

FCC and IC Certified	CE Certified	
GC005	GC005-CE	GC005-ATEX-11
GC012	GC012-CE	GC012-ATEX-11
GC018	GC018-CE	GC018-ATEX-11
GC035	GC035-CE	GC035-ATEX-11
GC060	GC060-CE	GC060-ATEX-11
GC065	GC065-CE	GC065-ATEX-11
GC100	GC100-CE	GC100-ATEX-11
GC170	GC170-CE	GC170-ATEX-11
GS001	GS001-CE	GS001-ATEX-11
GS002	GS002-CE	GS002-ATEX-11
GS005	GS005-CE	GS005-ATEX-11
GS010-01	GS010-01-CE	GS010-01-ATEX-11
GS010-02	GS010-02-CE	GS010-02-ATEX-11
GS010-03	GS010-03-CE	GS010-03-ATEX-11
GS011	GS011-CE	GS011-ATEX-11
GS020	GS020-CE	GS020-ATEX-11
GS050	GS050-CE	GS050-ATEX-11
GS550	GS550-CE	GS550-ATEX-11
GS550-03		
GS550-07	GS550-07-CE	GS550-07-ATEX-11
GS550-08	GS550-08-CE	GS550-08-ATEX-11
GS550-09	GS550-09-CE	GS550-09-ATEX-11
GS550-10	GS550-10-CE	GS550-10-ATEX-11

CSA and ATEX

CSA Class I, Division 1 and 2 Rated Equipment: part numbers end with “-CSA”

Example: GC012-CSA

ATEX Zone 0, 1 & 2: the letters “ATEX” are included in the part numbers

Example: GC012-ATEX-11

7.2 Important Notes for Hazardous Area Certified Components

7.2a Specifications



WARNING!

- Understand the manual and the ATEX manual addendums before operation.
- Replace batteries only in a non-hazardous area.
- Substitution of components may impair intrinsic safety.
- Substitution of components may impair suitability for Class I, Division 2.
- Do not remove power cable from display when on.

Models	Battery type and specification
GC005-ATEX-11 GC012-ATEX-11 GC018-ATEX-11 GC035-ATEX-11 GC060-ATEX-11 GC100-ATEX-11 GC170-ATEX-11 GS001-ATEX-11 GS002-ATEX-11 GS005-ATEX-11 GS007-01-ATEX-11 GS007-02-ATEX-11 GS010-01-ATEX-11 GS010-02-ATEX-11 GS010-03-ATEX-11 GS011-ATEX-11 GS020-ATEX-11 GS075-ATEX-11	“D” Type 3.6 V lithium batteries Tadiran TL-5930 model Temperature code “T4”

Table: Battery type

Sensors: GCxxx-ATEX-11 series sensors, GS001-ATEX-11, GS002-ATEX-11, GS010-ATEX-11, GS011-ATEX-11, GS020-ATEX-11, GS005-ATEX-11, GS050-ATEX-11 (all intrinsically safe):

II 1 G Ex ia IIC T4

GS550-ATEX-11 display:

II 3 G ExnA II T4

7.2b Ensuring Safe Operation in Hazardous Areas



WARNING!

- Equipment must be correctly installed according to the instructions described in this manual and in the ATEX user manual addendum, and need to be installed in locations providing adequate protection from impact and external damage.
- Always make sure the system works properly. Test all components before using the crane. A description of display status and warning lights is available in the Operation section of this manual.

7.2c Product Repair And Servicing

LSI Products have no replaceable or user serviceable parts except the antenna and the batteries. Suggested load cell maintenance instructions are described in the Maintenance section of this manual. For any other suspected problems, damage or required servicing, please contact your closest **LSI** office.


7.3 Equipment Markings

ATEX Part number (end with ATEX-10 or ATEX-11)


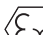

GCxxx, GS001, GS002, GS005, GS010, GS020

 Load Systems International Inc	Model No: GC012-ATEX-CE Load Cell 5.4 t (12 000 lb) Single part line pull capacity Please read reference manual for details
 Built in 2008 4495 Hamel Blvd, suite 110, Québec, QC, Canada Serial number is on the front	 II 1 G Ex ia IIC T4 08ATEX0068 Issuer: 0344 Exia IIC T4 WARNING – DO NOT REPLACE BATTERY WHEN AN EXPLOSIVE GAS ATMOSPHERE MAY BE PRESENT

GS030

 ROBWAY A TRIMBLE COMPANY ID: _____ Ambient Temp: -20°C to +75°C MFD. MFD. by Load Systems International 2666 boul. du Parc Technologique, Suite 190 Québec City, QC G1P 4S6 Canada Tel: +1.281.664.1330 +1.888.819.4355	Model No: GS030-10 Slew Sensor Transmitter   II 1 G Ex ia IIC T4 Ga Sira 14ATEX2332X
WARNING – DO NOT REPLACE BATTERY WHEN AN EXPLOSIVE GAS ATMOSPHERE MAY BE PRESENT This device is intended as an operator aid only and is not a substitute for safe operating practices. Read and understand the User's Manual. Test before every use. www.loadsystems.com	

GS075


 ROBWAY A TRIMBLE COMPANY www.loadsystems.com	Model No: _____ MFD. _____ Please read User's Manual for details
 II 1 G Ex ia IIC T4 Ga Sira 14ATEX2332X Ambient Temp: -20°C to +75°C	 0891
WARNING – DO NOT REPLACE BATTERY WHEN AN EXPLOSIVE GAS ATMOSPHERE MAY BE PRESENT 2666 boul. du Parc Technologique, Suite 190 Québec, QC G1P 4S6	

GS020

Ignition hazard: "WARNING - POTENTIAL ELECTROSTATIC CHARGING HAZARD"

FCC



GCxxx, GS001, GS002, GS005, GS010, GS020

 Load Systems International Inc	Model No: GC012 Load Cell 12 000 lb Single part line pull capacity
IC: 7076A-ICGS000	FCC ID: QVBGS000
* This device complies with Part 15 of the FCC Rules. Operation is subject to the following two conditions: 1) This device may not cause harmful interference, and 2) This device must accept any interference received, including interference that may cause undesired operation.	

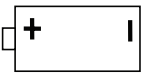

GS030

 Load Systems International	Model No: GS030 Slew Sensor Transmitter
USA: (888) 819 4355 Int.: +1 281 664 1330	ID: _____
WARNING! This device is intended as an operator aid only and is not a substitute for safe operating practices. Read and understand the operator's manual. Test before every use. FCC ID: QVBGS000 IC: 7076A-ICGS000 * This device complies with Part 15 of the FCC Rules. Operation is subject to the following two conditions: 1) This device may not cause harmful interference, and 2) This device must accept any interference received, including interference that may cause undesired operation. www.loadsystems.com	

GS075

 Load Systems International	Model No: GS080 Radio Anti-Two-Block Switch Weight
 Wireless	FCC ID: QVBGS080 IC: 7076A-ICGS080
* This device complies with Part 15 of the FCC Rules. Operation is subject to the following two conditions: 1) This device may not cause harmful interference, and 2) This device must accept any interference received, including interference that may cause undesired operation.	

Inside Battery Boxes: GCxxx, GS001, GS002, GS005, GS010, GS020 (ATEX and FCC)

	 (ub219)
See manual for details. Replace with Tadiran TL5930 lithium 3.6V battery. Use non-corrosive RTV sensor safe silicone only. The use of other silicones may void the warranty. International Sales & Service (Houston, USA): 281-664-1330	

Class 1 Division 1 intrinsically safe sensors have the following stainless steel plate (p/n UB223)

LSI INC. Battery Operated: D Type, Lithium, 3.6 VDC Class I, Gr. A, B, C & D Exia INTRINSICALLY SAFE Temperature Code: T4 Model: _____	 215780 C US
---	--

7.4 GS550 Display Labels

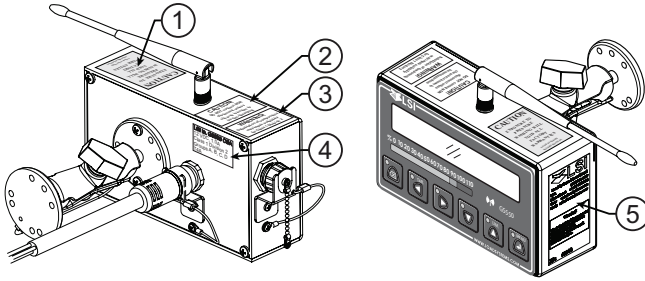


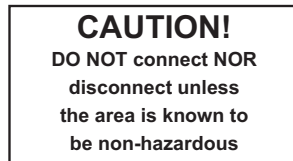
Figure: GS550 Display labels position

CSA Class 1 Div 2 and ATEX

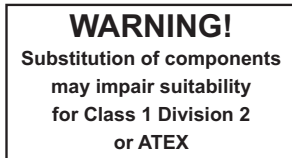
1- Label UB217;



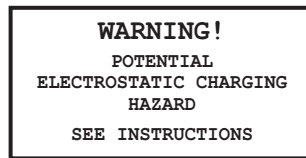
2- Label UB296-3;



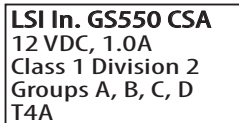
3- Label UB296-2;



4-Label UB296-1 (ATEX);



4- Label UB228-1 (CSA specific);



5- (CSA Class I Div 2);

5- (ATEX);

Load Systems International
 USA: (888) 819 4355
 International: +1 281 664 1330
 Web: www.loadsystems.com
 Email: sales@loadsystems.com

WARNING!
 This device is intended as an operator aid only and is not a substitute for safe operating practices. Read and understand the operator's manual. Test before every use.

FCC ID: QV8GS550 IC: 7076A-ICGS550
 * This device complies with Part 15 of the FCC Rules. Operation is subject to the following two conditions:
 (1) This device may not cause harmful interference, and
 (2) This device must accept any interference received, including interference that may cause undesired operation.

ID: 40450

Load Systems International
 International: +1 281 664 1330
 Web: www.loadsystems.com
 Email: sales@loadsystems.com

WARNING!
 This device is intended as an operator aid only and is not a substitute for safe operating practices. Read and understand the operator's manual. Test before every use.

CE **Ex** **GS550-ATEX-11**
 II 3 G Ex nA IIC T4

Ta = -30°C to 60°C
 Quebec, Canada G1P 4S6
ID: 50483 MFG: 2015

7.5 Class 1 Division 1 and Division 2 certifications

Class 1, Division 1 certification (intrinsically safe) is available for most **LSI** sensors. Class 1, Division 2 certification (non-incendive) is available for the GS550 display.

Certificate CSA #1332949 on master contract 215780 is available on request

Applicable requirements certified by CSA include:

- CSA Standard C22.2 No.0.4-M2004: Bonding and grounding of electrical equipment (protective grounding)
- CSA Standard C22.2 No.0-M1991: General requirements Canadian electrical code part II.
- CSA Standard C22.2 No.0142-M1987: Process control equipment
- CSA Standard C22.2 No.157-M1992: Intrinsically safe and non-incendive equipment for use in hazardous locations
- CSA Standard C22.2 No.213-M1987: Non-incendive electrical equipment for use in class I, division 2 hazardous locations
- UL Standard 508, seventeenth edition: industrial control equipment
- UL Standard 913, sixth edition: intrinsically safe apparatus and associated apparatus for use in class I, II, III, division 1, hazardous (classified) locations (LS Series)
- UL Standard 913, seventh edition: intrinsically safe apparatus and associated apparatus for use in class I, II, III, division 1, hazardous (classified) locations (GS Series)
- UL Standard 1604, third edition: electrical equipment for use in class I and II, division 2, and class III hazardous (classified) locations.

7.6 ATEX certifications

Applicable standards certified by ATEX include:

- EN 60079-0 - Electrical apparatus for explosive atmospheres - General requirements
- EN 60079-11- Explosive atmospheres - Part 11: Equipment protection by intrinsic safety "i"
- EN 60079-26 Explosive atmospheres - Part 26: Equipment with equipment protection level (EPL) Ga


Test Report: SIRA R70010429A

7.7 FCC and IC – Instructions to the User

This equipment has been tested and found to comply with the limits for a class B digital device, pursuant to part 15 of the FCC Rules. These limits are designed to provide reasonable protection against harmful interference in a residential installation. This equipment generates, uses, and can radiate radio frequency energy and if not installed and used in accordance with the instructions, may cause harmful interference to radio communications. However, there is no guarantee that interference will not occur in a particular installation. If this equipment does cause harmful interference to radio or television reception, which can be determined by turning the equipment off and on, the user is encouraged to try to correct the interference by one or more of the following measures:

- Reorient or relocate the receiving antenna.
- Increase the separation between the equipment and receiver.
- Connect the equipment into an outlet on a circuit different from that to which the receiver is connected.
- Consult the dealer or an experienced radio/TV technician for help.

In order to maintain compliance with FCC regulations, shielded cables must be used with this equipment. Operation with non-approved equipment or unshielded cables is likely to result in interference to radio and TV reception.

 **IMPORTANT! Changes or modifications to this equipment not expressly approved by the party responsible for compliance could void the user's authority to operate the equipment.**

FCC ID: QVBGS550 IC: 7076A-ICGS550

RF Exposure Warning:

This product complies with FCC/IC radiation exposure limits set forth for an uncontrolled environment. To comply with RF exposure requirements, the unit must be installed and operated with 20 cm (8 in.) or more between the product and your body. This product may not be collocated or operated in conjunction with any other antenna or transmitter.

This device has been designed to operate with the antennas listed below, and having

a maximum gain of 2.0 dB. Antennas not included in this list or having a gain greater than 2.0 dB are strictly prohibited for use with this device. The required antenna impedance is 50 ohms.

To reduce potential radio interference to other users, the antenna type and its gain should be so chosen that the equivalent isotropically radiated power (e.i.r.p.) is not more than that permitted for successful communication.

Antenna List

LSI P/N:	TA001
Description:	1/4 wave monopole
MFG	Linx Technologies
P/N	ANT-916-CW-QW
LSI P/N:	TA008
Description:	1/2 wave dipole
MFG:	Nearson
P/N:	S467AH-915S

FCC ID: QVBGS000 IC: 7076A-ICGS000

FCC ID: QVBGS001 IC: 7076A-ICGS001

FCC ID: QVBGS050 IC: 7076A-ICGS050

FCC ID: QVBGS075 IC: 7076A-ICGS075

RF Exposure Warning:

This product complies with FCC/IC radiation exposure limits set forth for an uncontrolled environment. To comply with RF exposure requirements, the unit must be installed and operated with 20 cm (8 in.) or more between the product and your body. This product may not be collocated or operated in conjunction with any other antenna or transmitter.

This device has been designed to operate with the antennas listed below, and having a maximum gain of 3.0 dB. Antennas not included in this list or having a gain greater than 3.0 dB are strictly prohibited for use with this device. The required antenna impedance is 50 ohms.

To reduce potential radio interference to other users, the antenna type and its gain should be so chosen that the equivalent isotropically radiated power (e.i.r.p.) is not more than that permitted for successful communication.

Antenna List

LSI P/N:	TA011
Description:	1/4 wave monopole
MFG	Load Systems International

7.8 EMI / EMC

EMI/EMC (Electro-Magnetic Immunity & Electro-Magnetic Compatibility):

EN 301 489-3 V1.4.1 (2002-08)

Clause 8.2: Limits for radiated emissions from ancillary equipment, measured on a standalone basis (measuring distance of 10m): Pass

Clause 8.3: Limits for conducted emissions DC power input/output ports: Pass

Test method used: CISPR 22, EN 61000-3-2: 2000 and EN 61000-3-3:1995+ A1:2001

All tests were performed using measurement apparatus defined in CISPR 16-1. Radiated emissions measurements conformed to requirements of CISPR 16-1.

Clause 8: immunity tests

Enclosure-radio frequency electromagnetic field, EN 61000-4-3: Pass

Signal – RF common mode, EN 61000-4-6: Pass

DC Power input ports, RF common mode, EN 61000-4-6: Pass

Clause 9.2, radio frequency electromagnetic field: Pass

Clause 9.5, radio frequency common mode: Pass

ESD (Electro-Static Discharges)

LSI products are tested against norm EN 61000-4.

Other Compliances

- SAE J159 and SAE J987
- ASME B30.5-2000
- Franklin laboratory: LSI products are safe to use in proximity to blasting caps
- New-York City: MEA 110-05-E, in compliance with 19.1.1(a).1 requirements of Reference Standard RS 19-2 of the Building Code
- ABS (American Bureau of Shipping)
API Spec 2C compliant

7.9 Environmental conditions

Ambient Temperature	84° C maximum for the sensors, and 59° C maximum for the display
Operating Temperature	Sensors: -35° C to +85° C Display: -30° C to +60° C
Humidity Range	0% to 100%
IP Rating	IP65 IP55 (CSA/ATEX)

7.10 Cleaning and decontamination

Exposure to pressure washing will void all factory warranties. Use a clean towel, water and soft soap for all cleaning and decontamination.

7.11 CE



7.11a Declaration of Conformity

Manufacturer's Name: Load Systems International Inc.

Manufacturer's Address:

Canada:
2666 boul. du Parc Technologique, Suite 190
Québec, QC G1P 4S6

Declare under our own responsibility that the products:

Load sensors: GCxxx-CE, GCxxx-ATEX-CE, GCxxx-ATEX-11, GLCxxx-02, GS001-CE, GS001-ATEX-CE, GS001-xx-ATEX-11, GS002-CE, GS002-ATEX-CE; GS007-xx-CE, GS007-xx-ATEX-11, GS009-CE

Anti-Two-Block : GS005-CE, GS005-ATEX-CE, GS005-ATEX-11, GS050-CE, GS050-ATEX-CE, GS075-CE, GS075-x-ATEX-11, GS085

Angle sensors : GS010-xx-CE, GS010-xx-ATEX-CE, GS010-xx-ATEX-11, GS011-xx-CE, GS011-xx-ATEX-CE, GS011-xx-ATEX-11, GS012-CE, GS030-CE, GS030-10

Wind speed sensors : GS020-CE, GS020-ATEX-CE, GS020-ATEX-11, GS026

Pressure sensors: PT00120-xxx; PT00130-xxx

Gateways: GS2xx-xx-CE

Displays: GS320-CE, GS375-CE, GS550-CE, GS550-ATEX-CE, GS550-ATEX-11, GS550-xx-CE, GS820-CE, GS820-xx-CE

to which this declaration refers conform to the relevant standards or other standardising documents:

Safety: IEC 61010-1: 2nd ed. (2001), EN 61010-1: 2nd ed. (2001)

Wireless: EN 300 220-3 V1.1.1 (2000-09)

EMC: EN 301 489-3 V1.4.1 (2002-08)



Québec, January 13th, 2015

Eric Beaulieu
Technologies Manager

7.11b CE Safety



WARNING! When captors are used, the ambient temperature should not be higher than 84°C and the display should not be used when the ambient temperature is higher than 59°C, otherwise there can be a burn possibility.



WARNING! For the operator's safety, take only the ambient temperature range into consideration. The device should be used within this range specified above.



WARNING! The protection will be impaired if the material and equipment are used in a manner not specified by the manufacturer.



IMPORTANT! The IP of equipment corresponds to 65.

8. GS550 MENU OUTLINE

1) PARTS OF LINE

2) CRANE RIGGING

3) DISPLAY SETTINGS

3A) WEIGHT UNITS

3B) WIND UNITS

3C) DISPLAY LANGUAGE

3D) LIGHT INTENSITY

3E) LCD CONTRAST

3F) BACKLIGHT MODE

4) INSTALLATION

4A) SENSOR LIST

4A1) SENSOR TYPE AND RADIO IDENTIFICATION NUMBER

4A2) SYSTEM SELECTED CONFIGURATION NUMBER

4A3) CONFIGURATION NUMBER SELECTION MODE

4B) SENSOR CALIBRATION

4B1) AUTOMATIC VALUE CALIBRATION WIZARD

4B2) MANUAL PARAMETER CALIBRATION

4B3) RESET SENSOR PARAMETERS

4C) RADIUS SETTINGS

4C1) BOOM LENGTH

4C2) SLEW OFFSET

4C3) BOOM FOOT HEIGHT

4C4) BOOM DEFLECTION

4C5) BOOM TOP LENGTH

4C6) BOOM TOP OFFSET

4C7) NO LOAD DEFLECTION

4C8) JIB OFFSET

4C9) LATTICE EXTENSION OFFSET

4C10) JIB MOUNTING POINT PERPENDICULAR

4C11) JIB MOUNTING POINT PARALLEL

4C12) HEIGHT TOLERANCE

4C13) SELECT SHEAVE

4C14) JIB LENGTH

4C15) LUFFING JIB LENGTH

4C16) LATTICE EXTENSION LENGTH

4C17) MANUAL LENGTH

4C18) SHEAVE HEAD LENGTH PERPENDICULAR

4C19) SHEAVE HEAD LENGTH PARALLEL

4C20) SHEAVE RADIUS

4C21) DEDUCT

4D) CHART SETTINGS

4D1) OPERATION MODE

4D2) CRANE CAPACITY CHART INTERPOLATION

4D3) OUT OF CHARTS DEFAULT WORKING LOAD LIMIT

4D4) ENABLE START SECTION

4D5) ENABLE STOP SECTION

4D6) RETRACTED BOOM LENGTH TOLERANCE

4D7) INTERMEDIATE BOOM LENGTH TOLERANCE

4D8) EXTENDED BOOM LENGTH TOLERANCE

4D9) RADIUS TOLERANCE

4D10) BOOM ANGLE TOLERANCE

4E) MEMORY BANKS

4E1) COPY CONFIGURATION TO MEMORY BANK A

4E2) COPY CONFIGURATION TO MEMORY BANK B

4E3) COPY CONFIGURATION TO MEMORY BANK C

4E4) COPY MEMORY BANK A TO CURRENT CONFIGURATION

4E5) COPY MEMORY BANK B TO CURRENT CONFIGURATION

4E6) COPY MEMORY BANK C TO CURRENT CONFIGURATION

4E7) RESTORE FACTORY CONFIGURATION

4E8) CLEAR CONFIGURATION

4F) DATA LOGGER

4F1) DATA LOGGER MODE

4F2) ADJUST DATE

4F3) ADJUST TIME

4G) LOCKOUT SETTINGS

4G1) WARNING LEVEL

4G2) ALARM LEVEL

4G3) LOCKOUT LEVEL

4G4) WHITE WIRE LOCKOUT TRIGGER

4G5) GREEN WIRE LOCKOUT TRIGGER

4G6) ORANGE WIRE LOCKOUT TRIGGER

4G7) BLUE WIRE LOCKOUT TRIGGER

4G8) LOCKOUT RELAY INVERTED

4H) PASSWORD SETTINGS

4H1) SET ADMINISTRATOR PASSWORD

4H2) SET USER PASSWORD

4H3) TARE MENU PASSWORD PROTECTION

4H4) LIMIT MENU PASSWORD PROTECTION

4H5) INFO MENU PASSWORD PROTECTION

- 4H6) SYSTEM START-UP PASSWORD PROTECTION
- 4H7) PARTS OF LINE MENU PASSWORD PROTECTION
- 4H8) CHART RIGGING PASSWORD PROTECTION
- 4H9) DISPLAY SETTINGS PASSWORD PROTECTION
- 4H10) SENSOR LIST PASSWORD PROTECTION
- 4H11) SENSOR CALIBRATION PASSWORD PROTECTION
- 4H12) RADIUS SETTINGS PASSWORD PROTECTION
- 4H13) CHART SETTINGS PASSWORD PROTECTION
- 4H14) MEMORY BANKS PASSWORD PROTECTION
- 4H15) DATA LOGGER PASSWORD PROTECTION
- 4H16) LOCKOUT SETTINGS PASSWORD PROTECTION
- 4H17) NETWORK OPTIONS PASSWORD PROTECTION
- 4H18) SYSTEM DIAGNOSTIC PASSWORD PROTECTION
- 4H19) ALARM BYPASSED PROTECTION

4I) NETWORK OPTIONS

- 4I1) DISPLAY MODE
- 4I2) SET-UP SENSOR REPEATER
- 4I3) LAST REPEATER PROGRAMMED
- 4I4) INSTALL UPDATE

4J) WORK AREA MANAGEMENT

- 4J1) SLEW APPROACH
- 4J2) HEIGHT APPROACH
- 4J3) RADIUS APPROACH
- 4J4) USE ORANGE WIRE FOR APPROACH

5) SYSTEM DIAGNOSTIC

5A) SYSTEM SENSORS DIAGNOSTIC

5B) RADIO NETWORK DIAGNOSTIC

- 5B1) RADIO NETWORK BACKGROUND NOISE
- 5B2) LIST LAST 32 SENSORS RECEIVED
- 5B3) SEARCH FOR SENSORS

5C) LOCKOUT DIAGNOSTIC

- 5C1) WHITE WIRE STATUS AND SELF-TEST
- 5C2) GREEN WIRE STATUS AND SELF-TEST
- 5C3) ORANGE WIRE STATUS AND SELF-TEST

5D) DISPLAY DIAGNOSTIC

- 5D1) TIME AND DATE
- 5D2) TIME CLOCK BATTERY TEST
- 5D3) EXTERNAL POWER SUPPLY VOLTAGE
- 5D4) INTERNAL TEMPERATURE
- 5D5) GS550 BASE STATION IDENTIFICATION NUMBER
- 5D6) GS550 (PORTABLE) BATTERY LEVEL
- 5D7) RADIO (CERTIFICATION AND FREQUENCY)

5E) DIGITAL INPUT DIAGNOSTIC

- 5E4) BLUE WIRE STATUS

9. LSI PRODUCT LIMITED WARRANTY - APRIL 1ST, 2013

9.1 Limited Warranty

LOAD SYSTEMS INTERNATIONAL INC. (hereafter "LSI") warrants its products (the "Products") will be free from defects in materials and workmanship for a period as determined by the product family as indicated below (the "Warranty Period").

Warranty Length	Product Family
24 months	GC Series Load Cells, GD Series Line Riders, GP Series Load Pins GS001, GS002, GS003, GS004, GS005, GS007, GS010, GS011, GS012, GS020, GS030, GS031, GS035, GS050, GS075, GS101, GS106, GS110, GS112, GS220, GS221, GS222, GS224, GS550, GS820, LP Series Load Pins, LS051, LS055, PT00100
12 months	GS026, GS320, GS375

Unless otherwise specified, the default Warranty Period for the Products is 12 months after delivery of such product. Please consult LSI for any Product that is not listed in the above chart for further details.

The Warranty Period commences after delivery of such Products to the user (as evidenced on a LSI document) subject to installation and use in accordance with specifications described in the LSI Installer and User's Manual, as amended from time to time, LSI technical materials and any related writings published by LSI with respect with such Products and any applicable industry standards.

During the Warranty Period, LSI or its designated service representative shall repair, or at its option, replace any Product that is confirmed to be defective by LSI, in its sole discretion, in accordance with the Limited Warranty Services Procedures described in this section.

9.2 Warranty Services Procedures

In order to benefit from this Limited Warranty, the purchaser must notify LSI's customer service or LSI's authorized distributor or representative originally responsible for the sale of the Products within 10 days of the occurrence of a suspected defect in materials or workmanship, and in any case prior to the expiry of the Warranty Period. Timely notification will permit the purchaser to obtain a Return Authorization Number which will indicate return procedures and terms and conditions of such returns. A proof of purchase of the Product, such as an invoice or a receipt certifying the validity of the Warranty, must be presented in order to obtain Limited Warranty coverage. In any event, even if a Return Authorization Number is provided to purchaser, LSI reserves the right to inspect the

damaged Product or part before its final decision to repair or replace the defective Product or part. The Product or part shall be returned to LSI or its designated service representative, accompanied by the Return Authorization Number with prepaid shipping charges. The purchaser must insure the shipment or accept the risk of loss or damage during the shipment. Purchaser shall also pay any tariff or duty applicable to the return of the defective part or Product. LSI will, at its option, repair or replace the Product or part returned to LSI or to its designated service representative. LSI owns all parts or Products replaced, repaired or removed from a repaired Product. If LSI repairs a Product, the Product Warranty coverage Period is not extended and the Limited Warranty shall expire as if uninterrupted at the end of the last month of the original Warranty Period from shipping from LSI. If LSI replaces a Product, the replaced Product is warranted for the remainder of the original term or sixty consecutive (60) days, whichever is longer.

LSI reserves the right to require from the user or owner of the Products, prior to determining if the Limited Warranty coverage is applicable, that LSI receive the data logging equipment used with the Products and that LSI be authorized to retrieve all information from such data logging equipment in order to, among others, ensure that the written instructions and applicable standards, including safety margins, were respected and not exceeded during Product use. Failure by the owner or user of the Product to supply such information shall be deemed a material default of the terms and conditions of this Limited Warranty and shall be irrevocably construed as evidence that the Product was misused or abused. Consequently LSI shall irrevocably be relieved of any obligations to compensate the user or owner of the Product for any and all damages resulting from Product failures when data logging equipment, and access to its content, cannot be freely and readily provided, unhampered, to LSI.

LSI will pay ground freight transportation costs of replacement or repaired parts or Products to the destination in the countries in which it maintains a service center (currently Canada, continental United States of America, United Kingdom, Australia and the United Arab Emirates) (the "Territory"). LSI will not pay any transportation costs of replacement or repaired parts to a destination outside of the Territory. Shipping and handling costs to locations outside the Territory shall be the responsibility of and borne by Purchaser or Owner of the Product prior to any shipment by LSI. (Contact LSI to obtain a Return Authorization Number and the address to ship parts).

9.3 Exclusion of Other Warranties

THE ABOVE WARRANTY IS THE SOLE WARRANTY APPLICABLE AND THERE ARE NO EXPRESS, LEGAL OR IMPLIED WARRANTIES OR CONDITIONS

IN RELATION TO ANY PRODUCTS INCLUDING ANY IMPLIED WARRANTY OR CONDITION OF MERCHANTABILITY, NON-INFRINGEMENT OR FITNESS FOR A PARTICULAR PURPOSE AND THOSE OTHERWISE ARISING BY STATUTE OR OTHERWISE IN LAW OR FROM A COURSE OF DEALING OR USAGE OF TRADE, WHICH ARE EXPRESSLY DISCLAIMED. NO ORAL OR WRITTEN INFORMATION OR ADVICE GIVEN BY LSI OR ITS EMPLOYEES OR REPRESENTATIVES SHALL CREATE A WARRANTY OR CONDITION OR IN ANY WAY INCREASE THE SCOPE OF LSI'S OBLIGATIONS. LSI DOES NOT WARRANT THAT THE BUSINESS RESULTS OBTAINED FROM THE USE OF THE PRODUCTS WILL BE APPROPRIATE OR ADEQUATE FOR THE PURCHASER.

9.4 Exclusion

This Limited Warranty does not cover and shall not apply to:

Any Product that is misused or abused, including being altered, modified or repaired not in accordance with LSI written instructions or authorizations or used not in compliance with LSI's instructions and/or industry standards and practices;

Any incidental costs or expense, such as shipping charges to LSI or an designated service representative as well as the technician out-of-pocket expenses including traveling, lodging and meal expenses, if any; The damages caused during the transport or the moving of the Product;

Damages caused by accidents, abuse, misuse, a force majeure (described as events outside a LSI's or any Product user's control, including war, riot, strikes, embargoes) or external cause;

Any cost, damage or expenses for field labor or any other expenses related to or arising from the replacement of defective parts.

Products used for pile-driving, wire rope activated clamshell or dragline applications. If purchaser uses the Products for pile-driving, wire rope activated clamshell or dragline application, the Limited Warranty will be deemed to have been violated for abuse.

Any costs associated with providing LSI with data logging equipment.

9.5 Limitation of Liability

To the maximum extent permitted by applicable law, in no event will LSI be liable to the purchaser or any third party for any indirect, special, consequential, incidental or exemplary damages whatsoever, including but not limited to loss of revenue or profit, lost or damaged data, business interruption or any other pecuniary loss whether based on contract, tort or other causes of action, even if LSI has been advised of the possibility of such damages. In any event, the total liability of LSI arising from any cause of action or claim whatsoever, whether (1) in contract, (2) in tort (including negligence, whether sole, joint, contributory, concurrent or otherwise, but

not including intentional, reckless or wanton tort), (3) under strict liability, (4) under any environmental or antipollution law or regulation, (5) connected with any toxic or hazardous substance or constituent, (6) arising out of any representation or instruction, or under any warranty, (7) or otherwise, arising out of, connected with, or resulting from the design, manufacture, sale, resale, delivery, repair, replacement or use of Products or the furnishing of any service shall in no event exceed the price allocable to and paid to LSI for the individual unit of Products or service or part thereof which gives rise to the cause of action or claim.

SOME STATES OR JURISDICTIONS DO NOT ALLOW THE LIMITATION OR EXCLUSION OF LIABILITY FOR INCIDENTAL OR CONSEQUENTIAL DAMAGES, SO THE ABOVE LIMITATION OR EXCLUSION MAY NOT APPLY TO YOU.

9.6 Recommended Practices

LSI recommends careful consideration of the following factors when specifying and installing the Products. Before installing a Product, the Installation, Operation, and Maintenance instructions provided with the unit must be read and understood and complied with.

9.7 Choice of Law

This Limited Warranty shall be governed by and construed in accordance with:

- the laws of the Province of Quebec, Canada for products sold by LSI in Quebec;
- the laws of the Province of Ontario, Canada for products sold by LSI in Ontario and anywhere else in Canada; and
- the laws of the State of New York for products sold by LSI anywhere in the United States of America or anywhere else, excluding Canada.

9.8 Entire Agreement

This document contains the entire agreement of the parties regarding the subject matter of the Product and supersedes all previous communications, representations, understandings and agreements, either oral or written, between you and LSI.

9.9 Vienna Convention Excluded

The United Nations Convention on Contracts for the International Sale of Goods does not apply to this Limited Warranty.



www.skyazul.com

SkyAzúl, Inc.
16 Walnut Street
Middletown, MD 21769
Phone 301-371-6126
Fax 301-371-0029
info@skyazul.com